



**MEFE**  
MITCHELL ENGINEERING  
FOOD EQUIPMENT PTY LTD

# Operating Manual



## Sheep Head Splitter

CAT 143S

Revision 4

# Contents

<b>1. Safety Notice</b> .....	3
<b>1.1 Safety Notice</b> .....	3
<b>1.2 Operators Notice</b> .....	3
<b>2. Parts List</b> .....	4-5
<b>3. Technical Data</b> .....	5
<b>4. Operation</b> .....	6
<b>4.1 Start Up</b> .....	6
<b>4.2 Operation</b> .....	6
<b>5. Oil Pump Replacement</b> .....	6
<b>6. Diagrams</b> .....	7-10

**DO NOT START THE MACHINE BEFORE READING THIS MANUAL**



# 1. Safety Notice

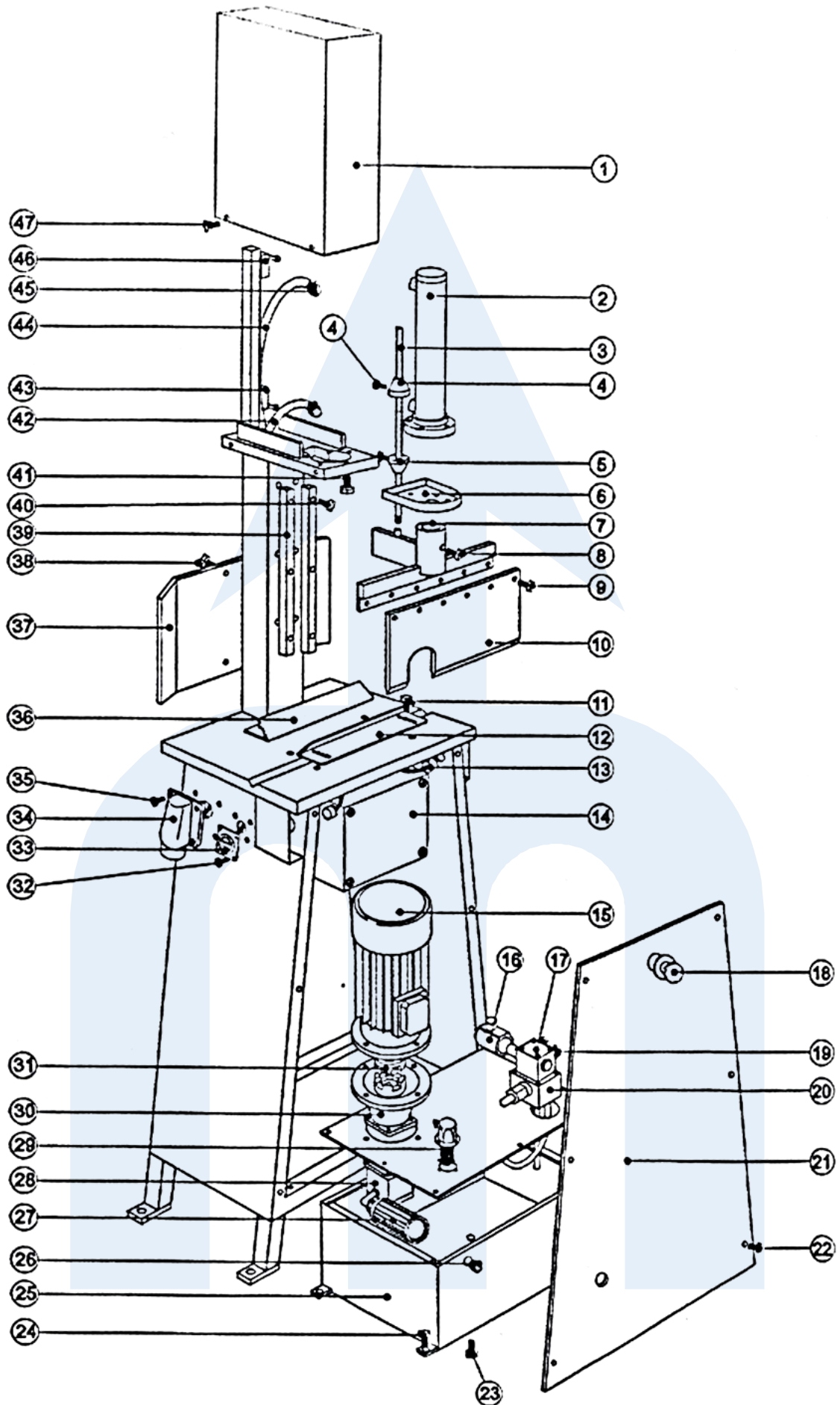
## 1.1 Safety Notice

1. Minors and untrained persons should not have access to the machine. Only those who have read and understood the operating and safety procedures should be allowed to work with the machine. According to accident prevention regulation the owner may only employ insured personnel who have been trained and are familiar with all the risks involved and have taken all necessary care to prevent injury
2. Ensure that all employees who use this machine are trained in the proper use of this machine and are aware of the dangers that may arise if they do not follow correct safety procedures.
3. Copies of the safety procedures are to be posted on employee bulletin board, given to operator(s), given to maintenance foreman, given to any subcontractor / clean-up Foreman.
4. The machine is designed to be fast acting and extremely powerful . The machine can cause death or severe injuries. This fact must be expressed and understood
5. Never make modifications or alterations to this machine
6. Remove and repair any machine which malfunctions. All personnel must be instructed to remove any malfunctioning machine from the work area for immediate repair.
7. Check shear for damage before the machine is used. The protective equipment should be checked to make sure that it is working correctly. Check that all moving parts are fully functional, they do not jam and should not show any sign of damage, all parts must be assembled correctly . Faulty protective equipment, switches or other parts must be reported and replaced by an authorised person
8. Wear suitable work clothes. Do not wear loose clothing or jewellery. Non slip footwear should be worn and always keep your balance.
9. Install the machine in accordance work regulation.
10. Switch off the machine or disconnect power when not in use and when servicing.
11. Danger - the operator is the only person who should be able to get close to the moving blades. Both of the operators hands must be clear of the moving blades and on the control switches when in operation

## 1.1 Operators Notice

1. Be alert at all times, think safety
2. Respect your equipment and know how to properly operate it, realise the damage/ injuries it can do to you
3. Do not operate the machine until you are familiar with it, you have read and understood the safety instructions
4. Do not try to defeat the machines dual hand control features, it is designed for your safety and must operate correctly at all times
5. Be smart and wear correct safety gear, do not wear watches , rings , and bracelets or loose fitting clothing
6. Don't fool around, power tools can cause death or injury
7. Never place or run fingers over blade edge
8. If blade jams – notify maintenance or supervisor

## 2. Parts List



## 2. Parts List Continued

No.	Part	No.	Part
1	Superior Protection Covers	25	Hydraulic Oil Tank
2	Hydraulic Cylinder	26	Sight Level oil
3	Axis Limit Switches	27	Oil Filter
4	Cleat Upper Axis Limit Switches	28	Hydraulic Pump
5	Cleat Lower Limit Switches	29	Plug Cap
6	Cylinder Plate	30	Motor Support—Pump
7	Support Knife	31	Coupling Motor—Pump
8	Screw Blade Holder	32	Screw Switch
9	Screw Knife	33	Main Switch
10	Blade	34	Main 3 Phase Socket
11	Screw Support	35	Screw Electric Socket
12	Headrest	36	Headrest Arms
13	Button / Start Cycle	37	Back Protection
14	Electric Box	38	Screw Back Protection
15	Electric Motor	39	Blade Guide
16	Coil Solenoid	40	Screw Blade Guide
17	Solenoid Body	41	Screw Hydraulic Cylinder
18	Emergency Stop	42	Hydraulic Hose
19	Solenoid	43	Micro Switch Button
20	Pressure Limiter	44	Hydraulic Hose
21	Front Cover	45	Hydraulic Sleeve
22	Screw Front Cover	46	Micro Hydraulic Breaker
23	Oil Drain Plug	47	Screw Cover
24	Oil Tank		

## 3. Technical Data

Motor: 1.5kW — 1500 t/min — 400V — 50Hz/60Hz — 3,5 A/400V

Hydraulic Oil: VISCO ISO 46

Oil Substitution: Each 5000 hours work

Oil Tank: 30 Litres

Control Switches: 24V AC

Weight: 200kg

Height Max: 1950mm

The machine stands upright on four feet, it **MUST** be levelled and fixed to the floor.

## 4. Operation

### 4.1 Start Up

Ensure machine is upright, level, and fixed to the floor.

Plug machine into electrical power supply 400V 50Hz/60Hz.

Switch the general/main switch, to “ON”

Push both buttons, left and right hand at the same time to activate the blade—blade will move down

If the motor starts and the knife blade remains stationary after correct activation, it is necessary to change one phase on the wire.

Machine has been designed to be used by two hand simultaneously , if the operator releases one hand, the machine will stop.

Emergency stop will deactivate and stop the machine.

### 4.2 Operation

Take two entire / complete sheep heads and place onto the table with the mandible down. The table supports are conic: ears on the lateral side and mouth centred. The exact position is where the brain is located in the neck axle—directly under the blade cut out.

After positioning the head, the operation must push the lateral buttons with two hands at the same time, the blade will start to move down. Continue pushing the buttons until the blade is back at the top. Once the knife stops, you can grab the head and remove the entire brain.

Note: the knife is dual and asymmetric; one side permits to split bigger heads than the other side.

## 5. Oil Pump Replacement

Disconnect the hydraulic flex pipes and take off the entire oil tank with engine and open the oil tank

Unscrew the pump connections—(IN/OUT)

Unscrew the engine and take off the pump/engine shaft attachment

Unscrew the pump from the aluminium support and change for the new one.

