

MEFE
MITCHELL ENGINEERING
FOOD EQUIPMENT PTY LTD

Operation Manual



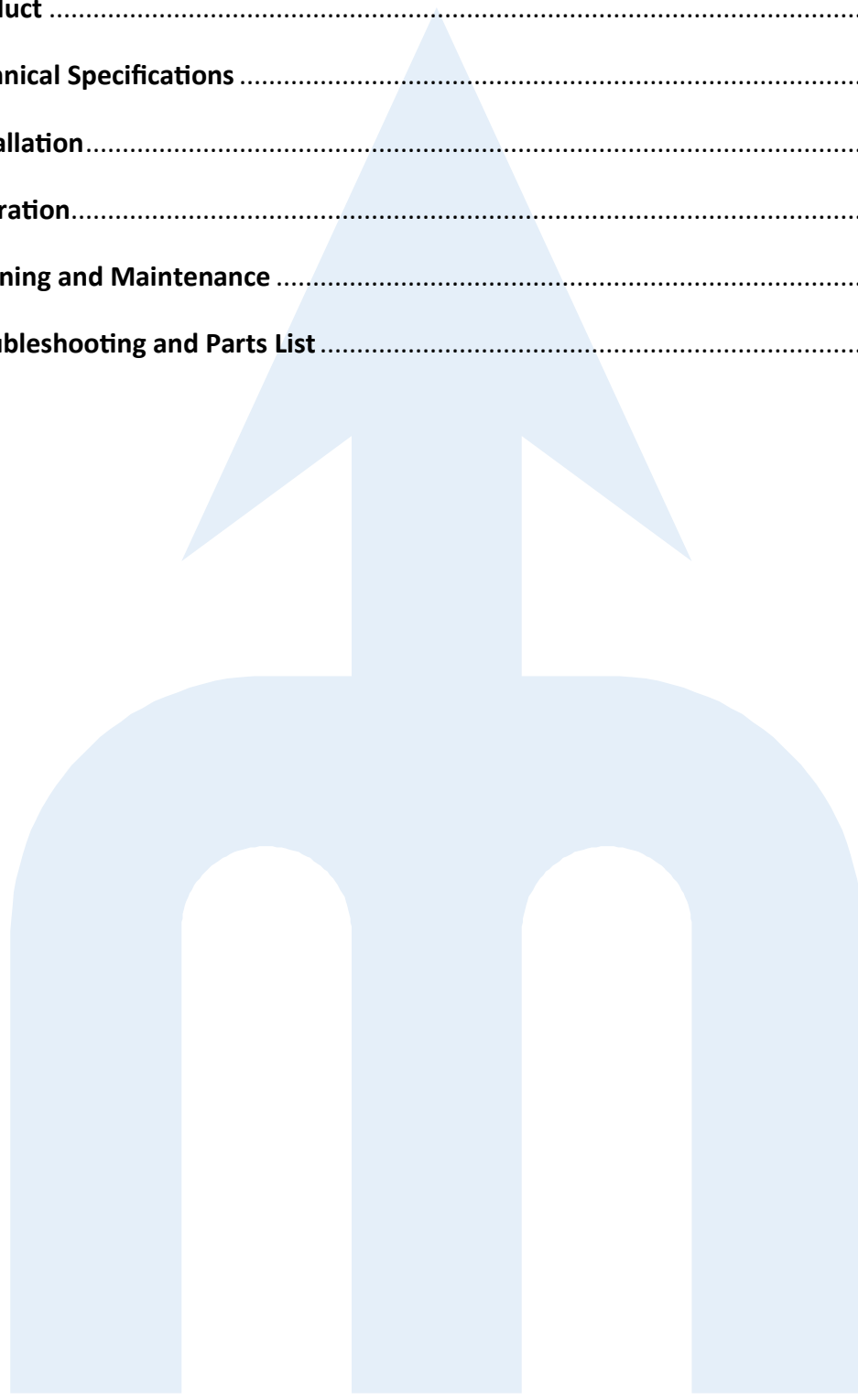
Butcher Bandsaw

CAT 350 210

Revision 5

Contents

1. General Safety Guidelines	3-4
2. Product	4
3. Technical Specifications	5
4. Installation	5
5. Operation	5
6. Cleaning and Maintenance	6
7. Troubleshooting and Parts List	7



1. General Safety Guidelines

Before Using This Power Tool

- Always wear hand protection.
- Keep bystanders out of the work area while operating the tool.
- Wheel guards and eye shields must be properly adjusted and tightened.
- Always make sure wheels are properly mounted and tension is properly applied.
- Stand to the side of the bandsaw during start-up. Switch it on and let the band operate at full speed for approximately one minute so that any undetected flaws or cracks will become apparent.
- Keep guides in place and working properly.
- Keep hands clear of blade wheels.
- Never reach behind or beneath the saw—never reach into or over the table.
- Disconnect power before changing blade or performing any cleaning. Always allow wheels to stop before adjusting or servicing. Do not stop the wheels with your hands or work piece.
- To avoid electric shock, DO NOT spray direct into motor or submerge machine in water.
- Use only accessories that are recommended by the manufacturer of your model.
- Always check blade is tensioned correctly.
- Grounded tools must be plugged into an outlet that has been properly installed and grounded in accordance with all local codes and standards. Never remove the grounding prong from the plug or modify it in any way.
- Do not use adapter plugs. If in doubt as to whether the outlet is properly grounded, consult a qualified electrician.
- Do not use the tool when tired or under the influence of drugs, alcohol or medication.
- Do not wear loose clothing, gloves or jewellery; tie up long hair and button all long sleeve shirts.
- Ensure the power switch is off prior to plugging in the tool.
- Do not over tighten spindle nuts.
- Service on these tools should only be performed by an authorized, qualified technician.

1.1 Additional Specific Safety Rules

1. DO NOT operate this machine until it is completely assembled and installed according to the instructions. A machine incorrectly assembled can cause serious injury.
2. OBTAIN ADVICE from your supervisor, instructor, or another qualified person if you are not thoroughly familiar with the operation of this machine. Knowledge is safety.
3. FOLLOW ALL WIRING CODES and recommended electrical connections to prevent shock or electrocution.
4. USE ONLY blades suitable for the product being cut and for the speed of the machine. Unsuitable blades can cause damage
5. DO NOT over tighten wheel nut.

1.1 Additional Specific Safety Rules Continued

6. DO NOT USE A WHEEL THAT VIBRATES. Check blade guides and adjust / replace if worn
7. INSPECT WHEELS for cracks or fragments before starting the machine. REPLACE DAMAGED WHEELS immediately.
8. STAND TO ONE SIDE before turning the machine on.
9. NEVER START THE MACHINE with the work piece against the blade. The work piece can be drawn into the blade causing damage to the machine an/or serious injury.
10. CLEAN THE MACHINE thoroughly when processing different types of work pieces.
11. AVOID awkward operations and hand positions. A sudden slip could cause a hand to move into the blade
12. KEEP ARMS, HANDS and fingers away from the blade.
13. NEVER APPLY COOLANT directly to the blade.
14. NEVER PERFORM LAYOUT, assembly, or set up work on the table/work area when the machine is running. A sudden slip could cause a hand to move into the wheel. Severe injury can result.
15. TURN THE MACHINE OFF, disconnect the machine from power source and clean the table/work area before leaving the machine. Lock the switch in the "OFF" position to prevent unauthorized use.

WARNING!

Failure to follow these rules may result in serious personal injury.

Read, understand and observe all instructions in this manual before using or operating the tool for which it is written and supplied. Ensure that anyone who is to use the tool has read and understood the instructions provided.

2. Product

This Bandsaw model is a newly developed product with high efficiency and low consumption, streamline looks and easy operation. The saw is designed to slice frozen meat or fish and bone by a bandsaw blade operated by an electric motor. The body, frame and cover of the saw are made out of Stainless Steel for durability, anti-rust properties and ease of cleaning. Fitted to the saw there is a thickness adjustment plate, to adjust slicing thickness and prevent any trembling of the blades. The blade also runs through guides to allow for straight cuts.

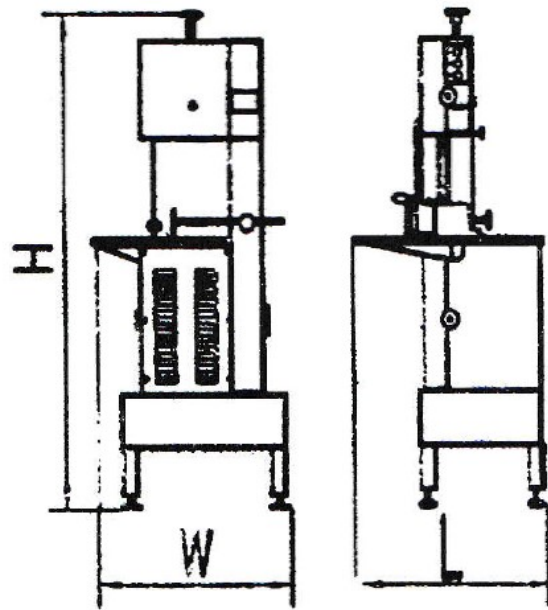
For safety purposes there is a safety clamp on the body cover. At the top of the saw is a tension adjustment knob so that the workers can easily maintain the proper tension of the saw if necessary.

In order to minimize the heat from the motor, there is a ventilation hole on the motor cover and to protect the motor from there is silicone seal on the front cover.

The operation switch has a safety guard to prevent any accidental or careless operation.

3. Technical Specifications

Model	CAT 350 210
Voltage	220 V
Frequency	50-60Hz
Power	1.1 kW
Blade wheel diameter	210 mm
Blade speed	15m/s
Table size	365 x 380mm
Cutting thickness	3-180mm
Dimensions	460 x 460 x 910mm
Net weight	33kg

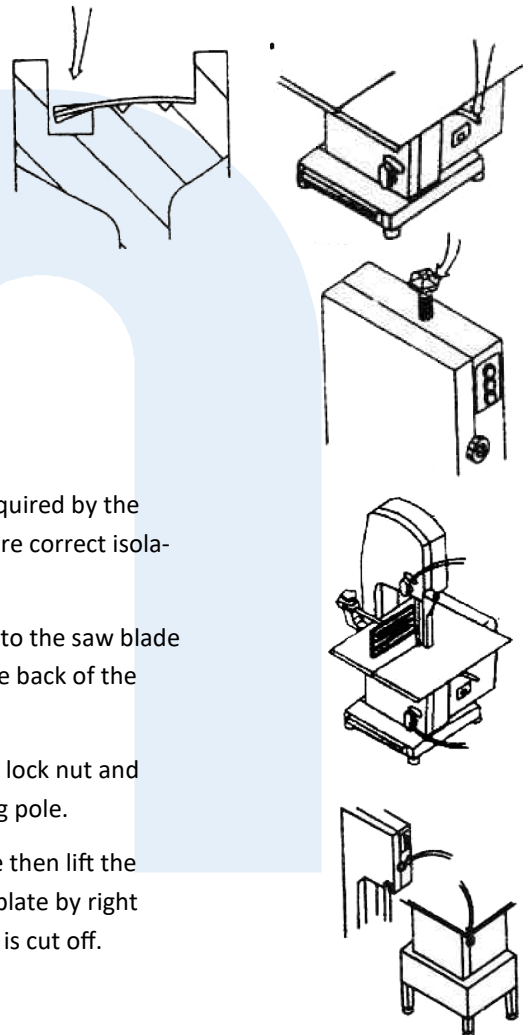


WARNING!

Read, understand and observe all instructions in this manual before using or operating the tool for which it is written and supplied. Ensure that anyone who is to use the tool has read and understood the instructions provided.

4. Installation

- 1) Please ensure mounting surface is clean—slip free and level
- 2) Check the voltage before connection
- 3) Keep children away from the machine and avoid interruptions
- 4) Place the machine at least 30cm away from the wall for ventilation.
- 5) Ensure the table the machine stands on is strong enough



5. Operation

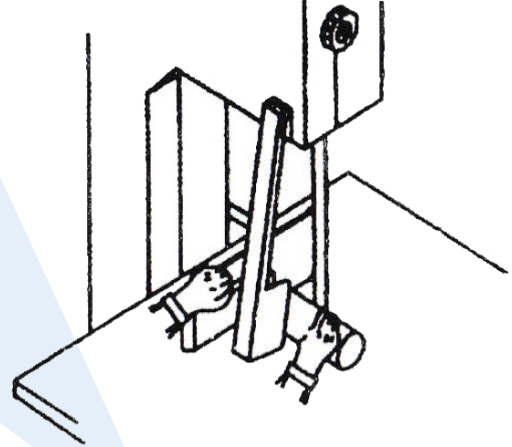
- 1) Before use please check that the power supply corresponds to that required by the machine, and that the external casing wire is reliably connected. Ensure correct isolator and earth leakage protection is in place and active
- 2) Open the door and check that the meat scrapers are engaging / close to the saw blade and that the supporting bearing is free running and just engaged to the back of the saw blade.
- 3) Adjusting the cut thickness according to the requirements, loosen the lock nut and adjust the position of the meat locating plate, then tighten the locating pole.
- 4) Put the bone (or meat) between the feeding handle and the saw blade then lift the meat feeding handle with left hand, push the material to the locating plate by right hand, then push the feeding handle to feed the material ahead until it is cut off.

5.1 Check list before operation

- 1) Check the power
- 2) Check saw blade tension
- 3) Check that body cover is fully closed and latched
- 4) Check that there are no obstacles on the work table

5.2 Caution Whilst Operating

- 1) Keep the worktable free of any unnecessary products
- 2) Never touch the blade with any metal object
- 3) Always pay full attention to moving blade
- 4) Always stop the machine before changing any settings
- 5) Always use safety gloves
- 6) When not being used the machine must be unplugged



Please note: To prevent overheating the best operating practice is to run the unit for no more than 15 minutes uninterrupted, following a 5 minute cool down before further use. The machine should be used with a duty cycle of 75%.

You can run the machine for a maximum of 3-4 hours continuously, however this does run the risk of overheating the motor and voiding your warranty. The copper wire can undertake 130°C, and the machine body can undertake 75°C.

6. Cleaning and Maintenance

6.1 Cleaning

- 1) Open Body cover
- 2) Remove Bone dust with a brush and move all bone dust to the dust drawer
- 3) Remove draw and clean with water
- 4) Replace draw and close cover

NOTE: Be careful not to pour any water on the motor and electrical parts

6.2 Maintenance

Each time before use, clean saw blade and other working parts with water and cloth. After the job, carefully clean the machine and open the door to sweep out the crumbs of meat and bone inside the machine.

Attention: DO NOT clean with water directly—use a cloth.

Replace the saw blade if the sawing speed is slow.

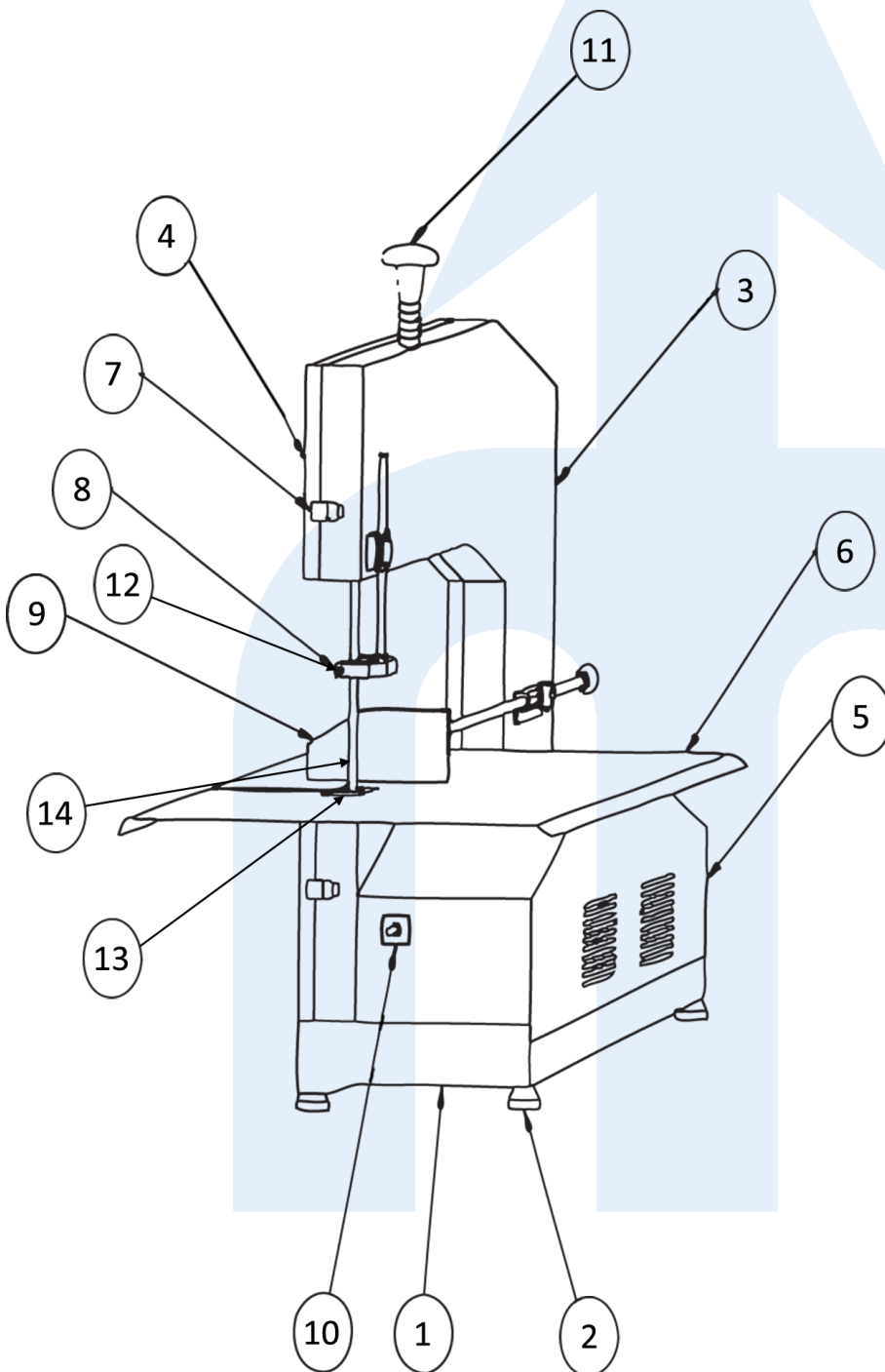
If the saw blade does not work after start-up of the motor make sure the cover is closed and the electric connectors are linked well.

NOTE: This machine is installed with an electromotor protective device, which will stop the power automatically when it over-

7. Trouble Shooting and Parts List

- DO NOT USE THE MACHINE FOR ANYTHING OTHER THAN WHAT IT WAS INTENDED!

Problem	Reason	Fix
Premature Blade Breakage	Saw blades are worn and or cracked / blunt	Always use good quality blades, replace when blunt
	Incorrect Tension	Constantly check blade tension
	Too much force applied when cutting	Let the blade do the work, do not force
Saw blades have come off	Tension has been wrongly adjusted—too weak	Adjust the tension properly
	There is dirt on the upper or lower wheels	Clean the wheels
	The wheels have worn away	Check and replace wheels



No.	Item
1	Frame
2	Rubber Feet
3	Body
4	Body Cover
5	Motor Cover
6	Worktable
7	Clamp
8	Guide
9	Pusher
10	Switch
11	Blade Tension Handle
12	Nylon Cube Guide (350 210 12)
13	Circular Nylon Guide (350 210 13)
14	Blade (7715365)
15	Blade backup bearing—200Bc27