



**MEFE**  
MITCHELL ENGINEERING  
FOOD EQUIPMENT PTY LTD

# Operating Manual



**Smart Toilet Flusher**

**Remote Button Flush**

CAT 67SHR

Revision 1

## Product Appearance:

Thank you for your purchase of our Remote Toilet Flusher for Side Handle Style Cistern.

This product allows the flush of your toilet via a Remote button, instead of requiring the use of the handle on the toilet. Perfectly suited for use by small children, disabled, or elderly persons.

The Remote button can be mounted in a location of your choosing, with the range covering 0-13m.

This unit also comes with an Automatic Flush, activating once every 72 hours, ensuring the toilet bowl is never left to sit stagnant.

Once paired, simply press, or **gently** kick the Remote button to activate the flush.

## Specifications:

Model/Product Name	CAT 67SHR—Remote Toilet Flush
Power	6 x AA batteries for Host; 1 x 2032 battery for Remote
Flush Method	Remote button / auto once every 72 hours
Remote Range	0m to 13m (with no obstacles, e.g. walls, doors, furniture)
Applicable Toilet Tank Style	Side pressing type toilet—Water tank contains: 1. Flush Lever    2. Bead Chain    3. Flapper    4. Flush Valve

## Remote Battery Installation:

1. Locate the Remote button, turn upside down, flick the notch (or twist device if mounted) all the way to the left and pull up (or away if installed onto surface) to remove mounting plate.
2. Remove 4 x screws and gently lift away back cover. Reach into open device and remove the battery holder and circuit board, install 1 x 2032 battery with positive side facing **up**.
3. Turn battery holder and circuit board around, and gently place into back cover, there is a hole on the circuit board in the corner that lines up with a peg on the back cover.
4. Carefully line up the Remote with the back cover, and place together before doing up the screws. Click the Remote button in; if you do not hear / feel a click, open and ensure all is aligned. If you do hear / feel the click, reinstall screws and mounting plate, by twisting to the right.



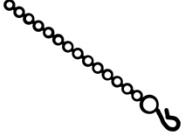
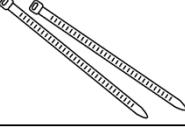
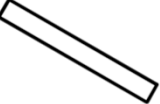

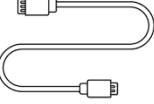
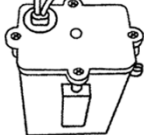

## Host Battery Installation:

1. Locate the Host, remove 4 x screws and gently lift away lid. **NOTE:** Battery box is connected to lid!
2. Once lid and battery holder are removed, install 6 x Rechargeable AA Batteries into holder.
3. Place battery holder back in Host body, replace the lid and reinstall screws.

## Pairing Host with Remote:

1. Remove the setting stick from the side of the Host, and carefully remove the plug from the top of the Host. (DO NOT LOOSE PLUG, ALWAYS ENSURE PLUG IS INSTALLED BEFORE PLACING HOST IN WATER.)
2. Insert the Setting Stick into top of Host and press down for 8 seconds (light inside Host will start flashing), pick up Remote, and press button for 8 seconds (if mounting plate is off, you can see the blue LED start flashing on the Remote).
3. To test pairing before installing into toilet, press button on Remote, the blue light on the Host should turn solid (this means the Remote has successfully told the Host to flush the toilet). Once the “flush” has completed the Host should go back to blinking. (You can also plug in flush motor to Host, outside of toilet to see if motor moves upon pushing button).

## Parts:

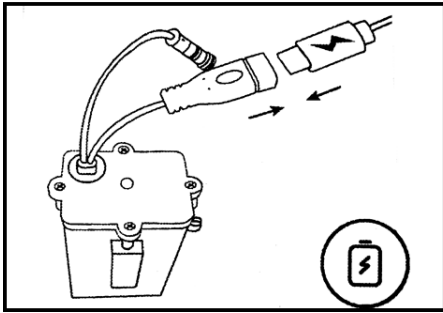
<b>No. 1</b>		Fixing Ring x 1	<b>No. 2</b>		O-Rubber Washer 1 x Large 1 x Small	<b>No. 3</b>		Bead Chain x 1
<b>No. 4</b>		Nylon Cable Ties x 2	<b>No. 5</b>		Setting Stick x 1	<b>No. 6</b>		Flush Motor x 1
<b>No. 7</b>		USB C Data Cable x 1	<b>No. 8</b>		Host x 1	<b>No. 9</b>		Remote Button x 1

## Common Questions:

Topic	Information		
<b>Host battery display and charging the Host.</b> (Battery charging feature on newer models only)	The LED Flashes blue when the Host is in standby, if there is no power, the LED is off.		
	There is a TYPE-C charging port next to the drive cable, remove the black waterproof plug to connect.		
	Charging cable lights:	Red Flashing—Charging	Red Solid—Charging complete
<b>No LED light on Remote</b>	On first battery install, press Remote button for 8 seconds, if still no light, replace 2032 Button Battery in Remote from instructions on page 2		

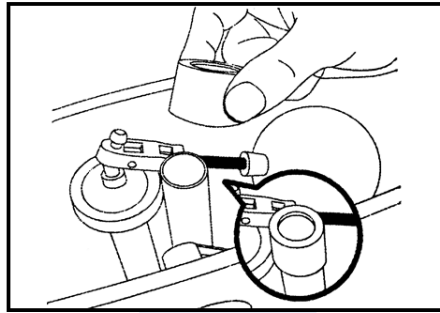
# Installation Instructions:

1



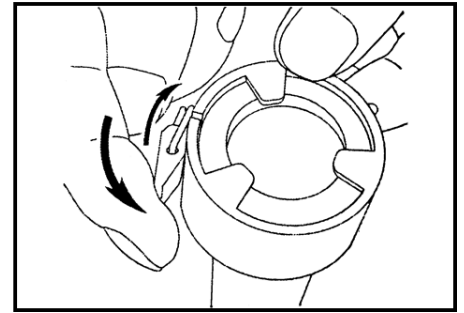
Please ensure batteries in Host are fully charged after receiving the goods. Charge time is around 4-5 hours, the light will be on solid blue when fully charged.

2



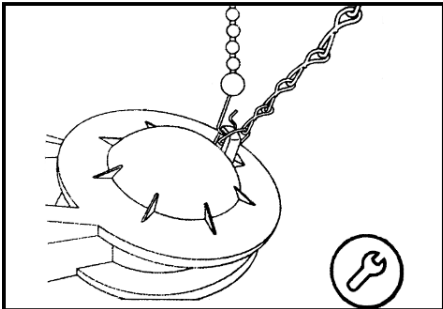
Open Toilet lid, and choose appropriate O-Ring to fit on overflow tube.

3



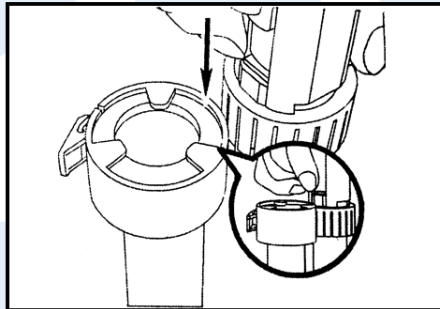
Place the fixing ring on top of the O-ring on overflow tube. Lock the fixing ring.

4



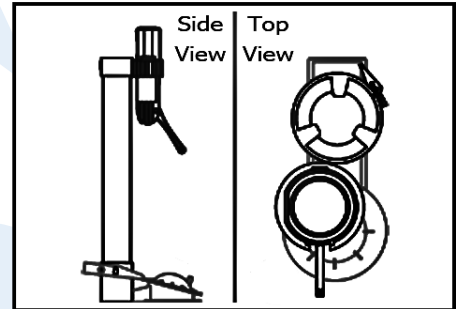
Secure the hook end of the bead chain to the water stop valve inside the toilet tank.

5



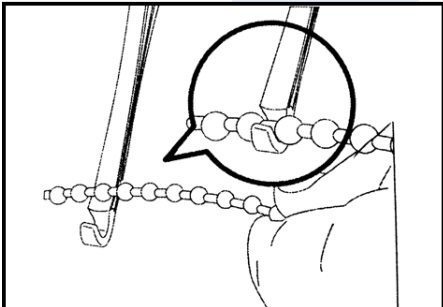
Slide the flush motor into the fixing ring

6



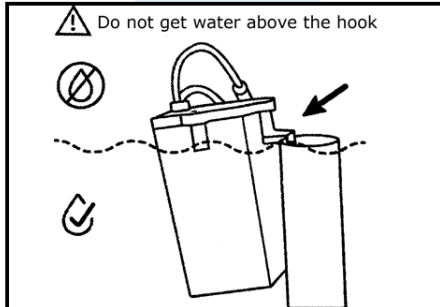
Flush motor should be as close to the top of the flusher valve as possible, allowing the bead chain to go directly to the water stop valve.

7



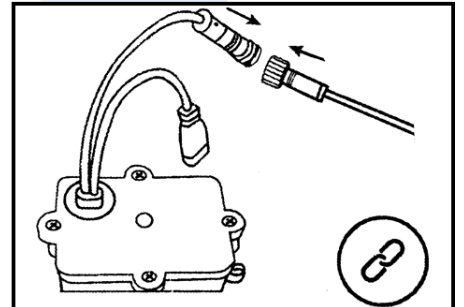
Connect bead chain to notch on the flush motor.

8



Hang or Zip Tie Host into the drain hole of the toilet cistern, do not get wet above the hook. Please also ensure rubber stopper is installed on Host, to prevent water getting inside.

9



Connect the flush motor to the Host, ensure you screw collar tight once plugged in. You can now carefully place the lid back on your cistern.