



**MEFE**  
MITCHELL ENGINEERING  
FOOD EQUIPMENT PTY LTD

# Instruction Manual



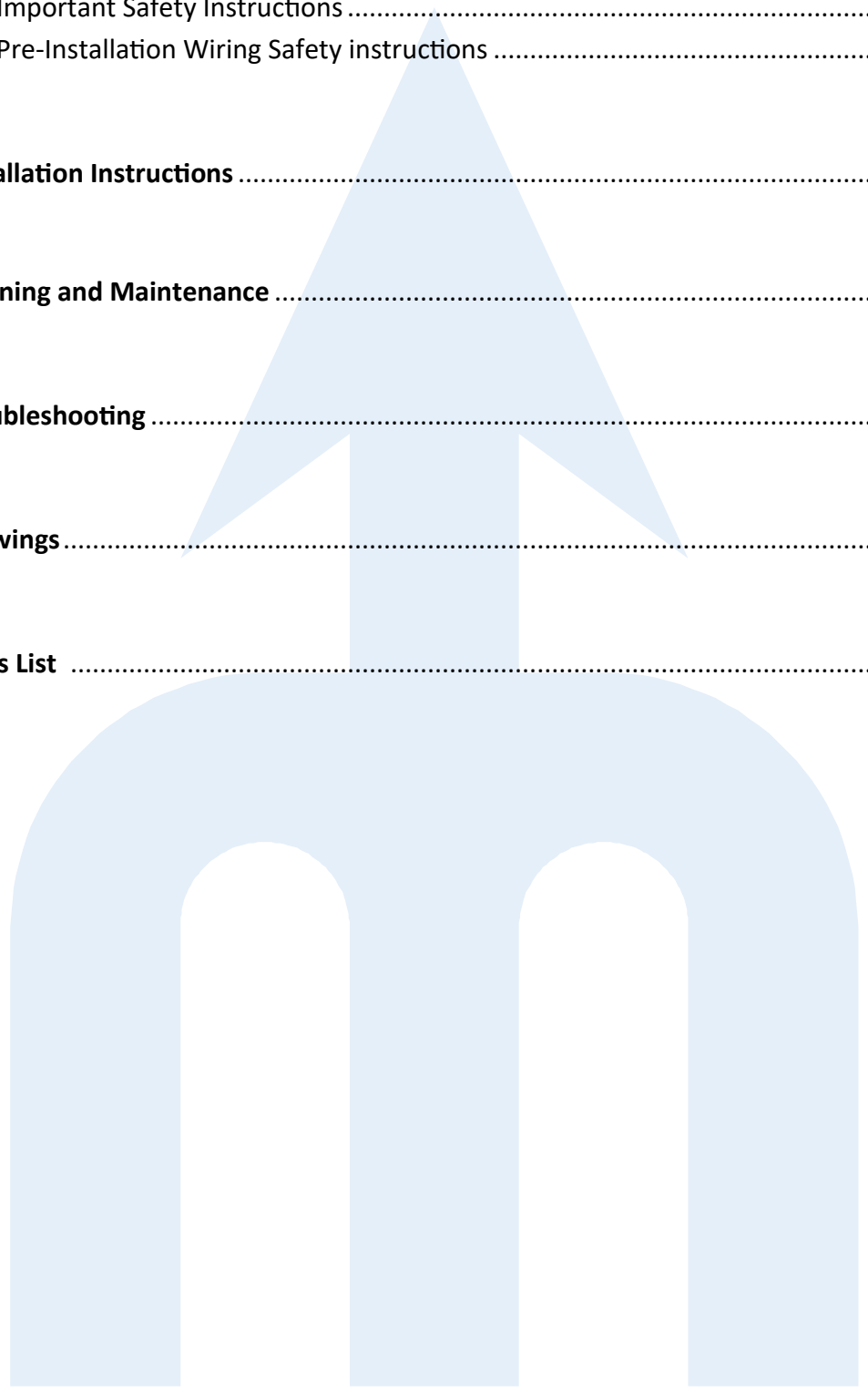
## Stainless Steel Automatic Hand Dryer

CAT 6888

Revision 2

# Contents

<b>1. Pre Start Up</b> .....	3
<b>1.1</b> Package Contents .....	3
<b>1.2</b> Important Safety Instructions .....	3
<b>1.3</b> Pre-Installation Wiring Safety instructions .....	3
<b>2. Installation Instructions</b> .....	4
<b>3. Cleaning and Maintenance</b> .....	4
<b>4. Troubleshooting</b> .....	5
<b>5. Drawings</b> .....	6
<b>6. Parts List</b> .....	7



# 1 Pre Start up

## 1.1 Package Contents

MEFE Automatic Hand Dryer	x 1	Screws M5 x 2.0 x 35mm	x 7
Mounting Guide	x 1	Wall Plugs	x 5
Installation Manual	x 1	Washer	x 4
Tamper-Proof Wrench	x 1		

## 1.2 Important Safety Instructions

Troubleshooting and internal maintenance must be performed by qualified service personnel.

Do not use any power wash equipment for cleaning on or near this unit.

Do not use this HAND DRYER for drying hair.

Do not obstruct air inlets or outlets.

## 1.3 Pre Installation Wiring Safety Instructions

Check that the electrical supply corresponds to that shown on the unit. Do not connect the dryer to any electrical supply other than that stated on the information plate on the unit. Permanent damage or improper, unsafe operation of the unit may result.

Make sure electricity is switched off at the main panel before installing, maintaining or cleaning this hand dryer.

The dryer must be installed in accordance with currently local wiring and building regulations.

Do not wire this hand dryer into the lighting circuit. It must be protected by an independent circuit.

The dryer is intended to be permanently connected to the power supply, and must be properly grounded.



**Warning:** For proper electrical connections check your local building codes. Your unit **MUST** be installed by a qualified, licenced electrician.



**Warning:** To reduce risk of fire, electric shock or injury to persons, observe the following:

A: Use this unit only in the manner intended by the manufacturer.

B: Before servicing or cleaning unit, switch power off at service panel and lock the service, disconnecting means to prevent power from being switched on accidentally. When the service disconnecting means cannot be locked, securely fasten a prominent warning device, such as a tag to the service panel.

## 2 Installation Instructions:

1. Disconnect the power source previously brought to the hand dryer location (see pre-installation wiring).
2. Remove the 2 Tamper-Proof Bolts using the Tamper-Proof Wrench supplied. Lift the cover to remove from base plate.
3. If electrical wiring entry is to be made from the rear, remove the appropriate pre-formed knockout on the base plate. If entry is to be made from bottom knock out the pre-formed area on the cover for your supply connection. A rigid conduit must be used for electrical wiring to the unit.
4. Select the appropriate mounting height for the dryer (shown in Mounting Height table [pg.6](#)). Select the appropriate fastener (shown in Mounting Hardware table [pg.6](#)). There should be no obstruction between the hand dryer and the floor. If mounting over a countertop, distance from counter to dryer must be 381mm MINIMUM.  
**Caution: Do not use the Base Plate as a guide when drilling. Make sure no pipe work (gas, water, air) or any electrical cables or wires are located directly behind the area to be drilled.**
5. Attach base plate at the four corners to a smooth wall. For the most secure installation, use 2 additional mounting holes as shown in drawing 1 ([pg.6](#))
6. Identify the voltage of your dryer from the rating tag on the unit. Then connect to a dedicated branch circuit not exceeding 20 Amp.
7. Secure electrical wiring to terminals as indicated by the schematic affixed to blower housing. An identified ground connection point is supplied on the Base Plate for your equipment ground wire. Dryers should be installed per local code requirements.
8. Carefully replace cover using the 2 Tamper-Proof Bolts previously removed in step 2. Restore power and test for proper operation.
9. It is highly recommended that a bead of silicone sealant be placed around the outside of the cover at the wall to protect dryer from internal corrosion caused by wash water and cleaning solutions.
10. Return Tamper-Proof Wrench to owner.

## 3 Cleaning and Maintenance

**Outside:** Gently wash cover (including air inlet holes) using a soft cloth or sponge and a mild soap or detergent with lukewarm water to loosen dirt and grime.

**Inside:** MEFE Recommends inspecting the inside of the dryer and cleaning as required at least once per year, or if performance diminishes. Heavier usage, or an environment that contains excessive lint, dust or other particles, requires more frequent cleaning. Lint on the air inlet, (and Pre-Filters if equipped) or other internal parts of dryer will reduce efficiency and shorten the life of the working parts.

To clean, shut off power to dryer at service connection. Remove cover by unscrewing the 2 Tamper-Proof Bolts from side of cover with Tamper-Proof Wrench provided. Use a small, soft brush to gently clean all parts. If your unit contains a dryer Pre-Filter, unclip and rinse with warm water, then dry and re-install.

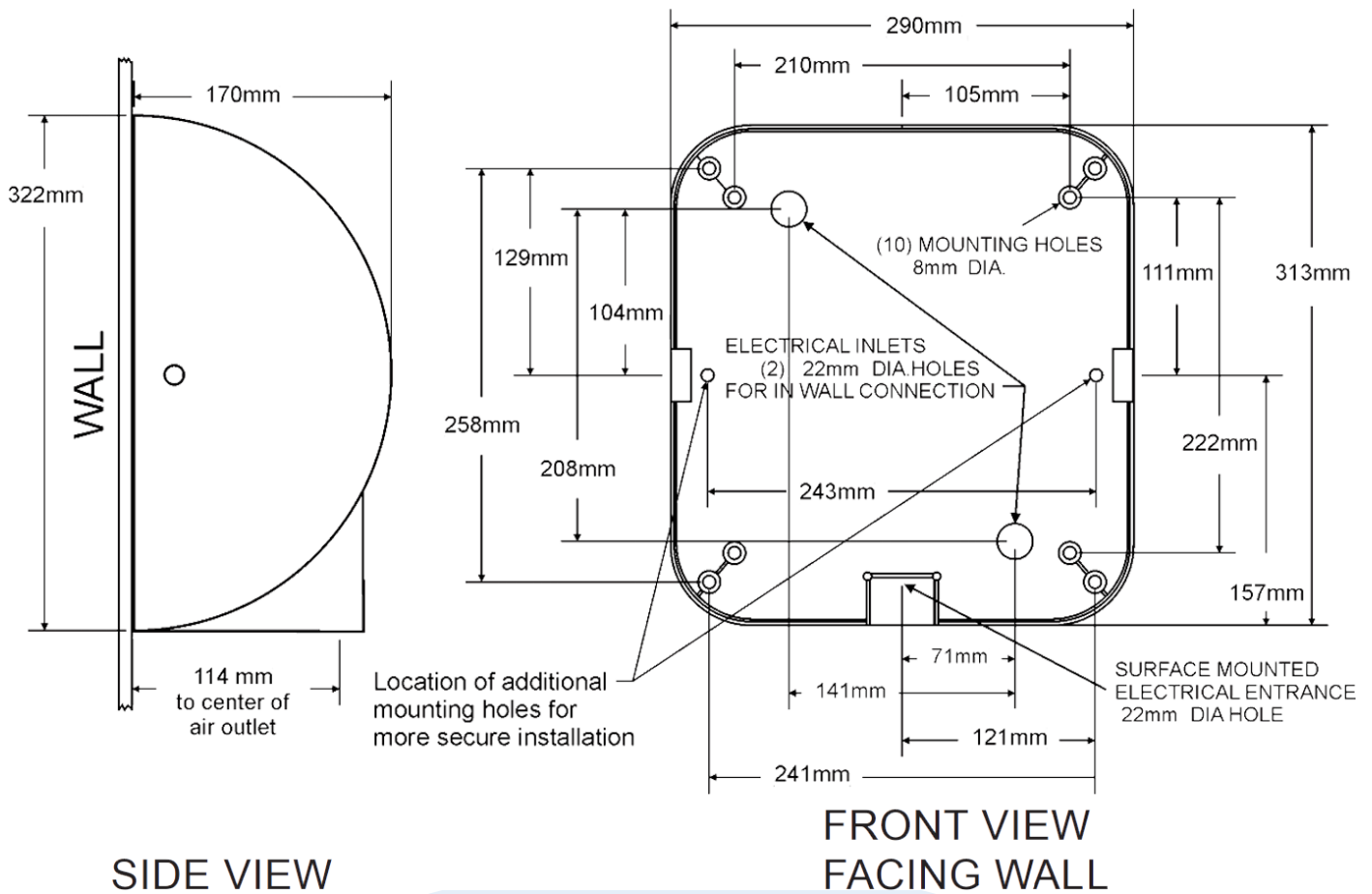
## 4 Troubleshooting

Problem	Solution
Dryer does not turn on	<ol style="list-style-type: none"> <li>1. Check power to unit and connections. Verify dryer is receiving voltage at Terminal Block.</li> <li>2. Check RED Service LED light next to air outlet on bottom of dryer:                     <p><b>Light is on</b>– Place hands under Sensor, if light stays on, replace sensor. If light goes off, check to make sure wiring is correct. If both are OK, replace motor.</p> <p><b>Light is off</b>– Check for loose, disconnected or improper wiring (See wiring schematic inside dryer cover), or replace control assembly.</p> <p><b>Light is flashing</b>– See error codes in Code Chart on bottom of page.</p> <p><b>Sensor Range</b>– If dryer will not turn on, stays on, or stops working, it may be mounted too close to a counter or object and has gone into lockout. Move the dryer to a more suitable location.</p> </li> </ol>
Dryer does not shut off	<ol style="list-style-type: none"> <li>1. May be mounted too close to a counter or object.</li> <li>2. Check for loose, disconnected or improper wiring at Control Assembly.</li> </ol>
Dryer does not always turn on, or turns on by itself	<ol style="list-style-type: none"> <li>1. May be mounted too close to counter or object</li> <li>2. Check for foreign material on optical sensor next to air outlet.</li> <li>3. Check for loose wires on control assembly.</li> <li>4. Replace Control Assembly.</li> </ol>
Dryer only blows cold air	<ol style="list-style-type: none"> <li>1. Check for loose connections to Heating Element.</li> <li>2. Replace Heating Element</li> </ol>
Dryer has loss of air volume	<ol style="list-style-type: none"> <li>1. Check for slow running motor or burning smell. If so, replace motor.</li> </ol>

### Code Chart

Dryer Maintenance codes			
2 Short / 1 Long Flash	In Lockout Mode	Remove obstruction	Dryer stops until obstruction is removed
Motor Problem Codes			
1 Long / 3 Short flash	Motor over current	Measure voltage across the terminal block, if OK, replace motor	Dryer will stop
1 Long / 4 Short Flash	Motor under current	Measure voltage across the terminal block. If OK replace motor	Dryer will stop
Heater Problem Codes			
2 Long / 3 Short Flash	Shorted or incorrect heater	Replace heating element	Dryer will stop

## 5 Drawings



SIDE VIEW

FRONT VIEW  
FACING WALL

Mounting Height	
Men	114cm
Women	109cm
Teenagers	104cm
Small Children	89cm
Accessible	94cm

Mounting Hardware	
Masonry wall	Use supplied wall plugs
Wooden Wall	Use Supplied screws and washers (M5 x 2.0 x 35mm)

## 6 Parts List

Item No.	Description	Item No.	Description
6888 1	Cover	6888 10	Base Plate Assembly
6888 3	Tamper-Proof Bolt	6888 11	Cover Mounting Brackets
6888 4	Tamper-Proof Wrench	6888 12	Housing Grommet
6888 5	Air Outlet (Includes Gasket)	6888 13	Housing Retainer
6888 6	Terminal Block (Includes Screws)	6888 15	Optics Assembly (Sensor)
6888 7	Control Assembly & Sensor	6888 16	Fuse Holder (If So Equipped)
6888 8	Heating Element Assembly	6888 17	Fuse (If So Equipped)
6888 9	Motor	6888 21	Pre-Filter (If So Equipped)

