

MEFE
MITCHELL ENGINEERING
FOOD EQUIPMENT PTY LTD

Installation Manual



Automatic Soap Dispenser

Wall Mount

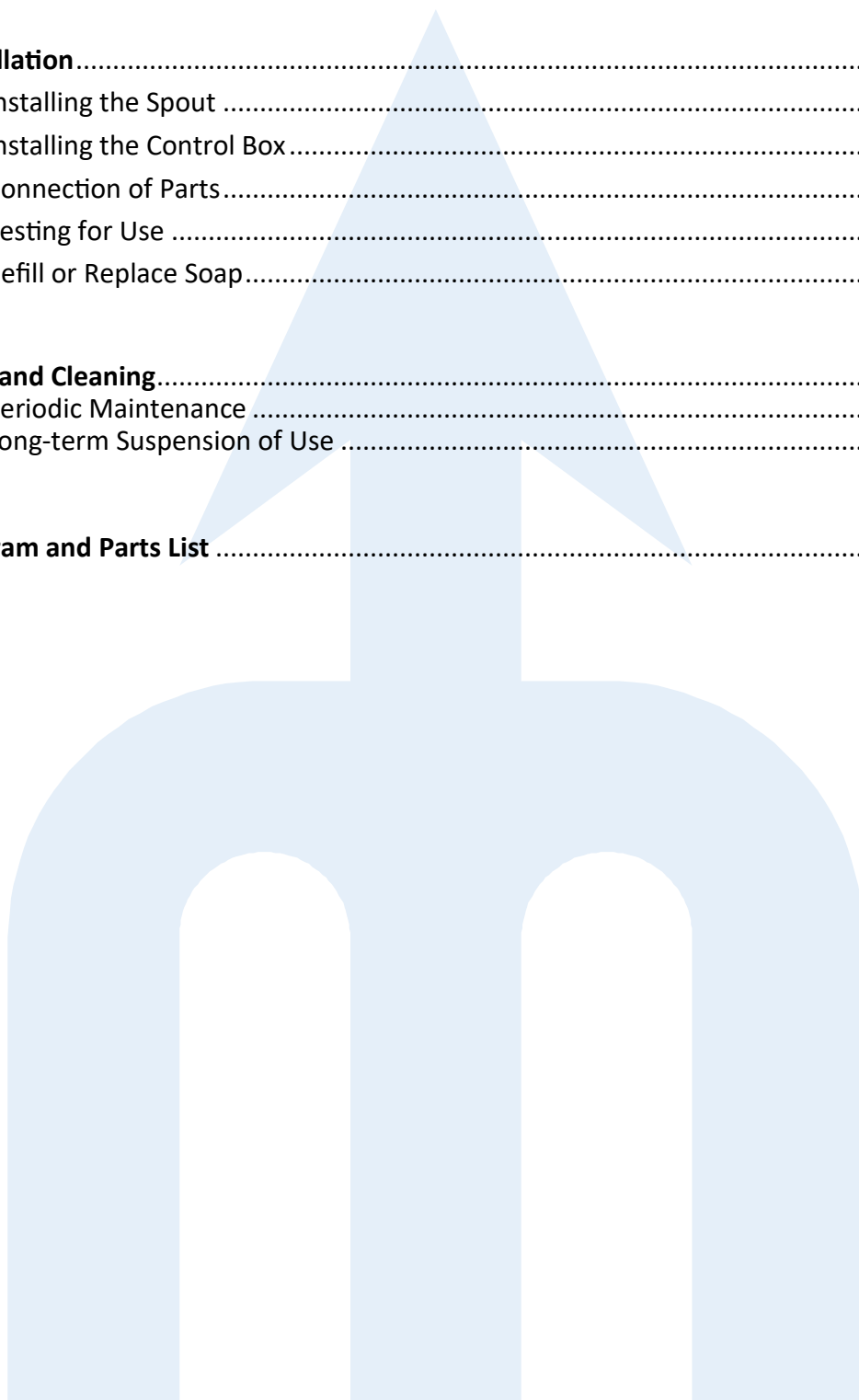
CAT 68931 Soap | CAT 68931S

CAT 68932 Foam

Revision 2

Contents

1. Before Use	3
1.1 Specifications	3
2. Installation	3
2.1 Installing the Spout	4
2.2 Installing the Control Box	5
2.3 Connection of Parts	5
2.4 Testing for Use	6
2.5 Refill or Replace Soap	6
3. Care and Cleaning	7
3.1 Periodic Maintenance	7
3.2 Long-term Suspension of Use	7
4. Diagram and Parts List	8



1. Before Use

- Please do not disassemble, repair or refit the products, unless stated otherwise. This could lead to electrical shock or product breakdown.
- Please do not install the products in any environment with over 90% relative humidity.
- Please do not use the product in the place where freezing might occur.
- Please minimise exposure of the control box and power supply for longevity of use.
- Please handle with care to avoid damage to the unit or soap leakage.
- Please ensure that the power line separates from hot water line/tube.
- Please keep the detecting sensor scope clear to avoid interference.
- The designated soap liquid viscosity is strongly recommended to be used.
- Please install the power socket/outlet in the place where water cannot be reached or sprayed.

1.1 Specifications

Power Supply	DC 6V (x4 1.5V Alkaline Batteries) or AC 100-240V
Sensor Detection Range	5—150mm
Ambient Temperature	1-40°C
Humidity	Max 90% RH
Soap Volume	0-1.5ml
Applicable Soap Viscosity	100-3800 cPs
Bottle Volume	Soap 1000ml / Foam 1500ml
Tubes	Soap: 110cm outlet Foam: 80cm inlet, soap line outlet 100cm, air line outlet 100cm, 110cm outlet
Sensor Cable	135cm
Power Cable	150cm

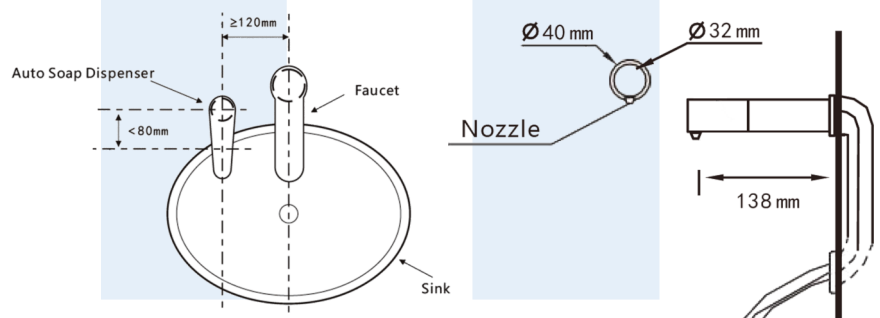
2. Installation

Position of Spout

If installing the dispenser beside a sensor operated faucet, please ensure there minimum 120mm between the spout and water faucet to avoid accidental activation.

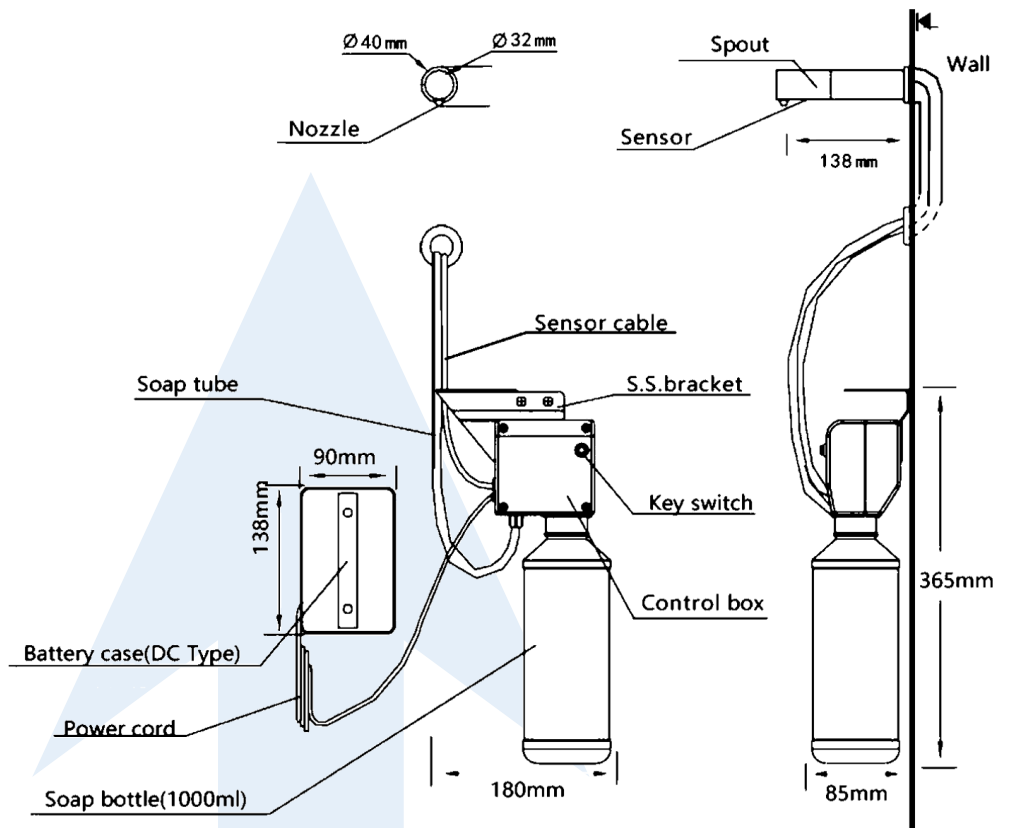
Position of Sink/Basin

Please make sure the distance between the mounted hole of the spout and counter edge is not more than 80mm to ensure soap/foam is dispensed in the desired location.

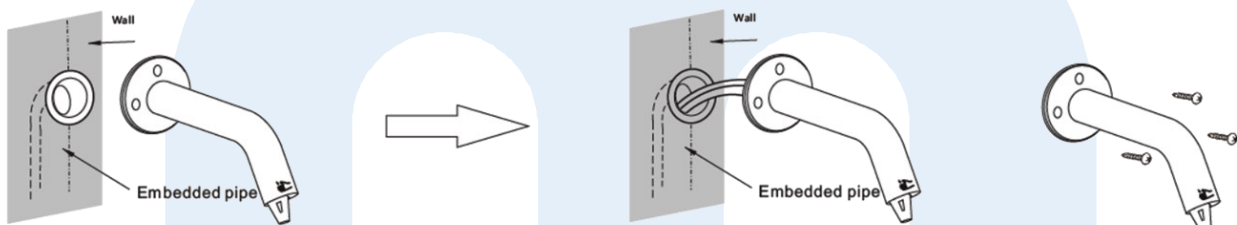


Position of Control Box

1. Please make sure that the length of the soap tube and sensor cable are sufficient to connect with the control box before choosing where to install the control box.
2. If the length of the soap tube is too long, it can be cut to suitable length.
3. Please make sure there is sufficient space between the base of the soap bottle and the floor to refill soap or replace the bottle.

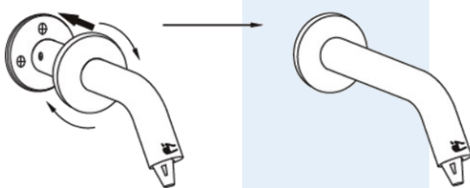


2.1 Installing the Spout

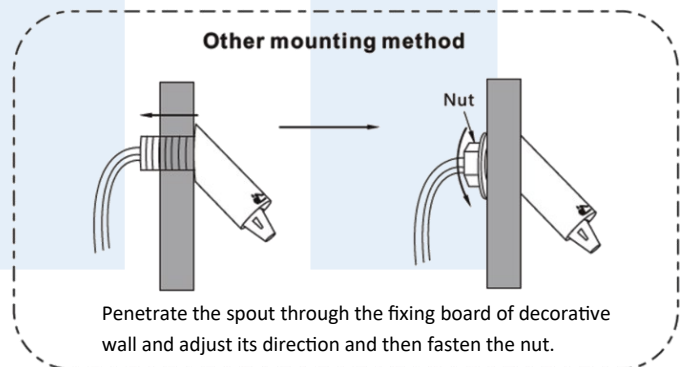


1. Locate and mark the mounting location of screws on the wall around the embedded pipe. Drill appropriate holes.

2. Insert the sensor cable and the tube/s into embedded pipe and lead them out from the bottom of reserved holes and then mount the spout on wall (use the expand-screws if needed).



3. Tighten the decorative cover on the spout.



2.2 Installing the Control Box

1. Locate and mark the proposed location of the stainless steel bracket. The bracket must be installed horizontal.
2. Drill the proposed holes for the stainless steel bracket (Figure 2). Depth of hole: 25mm. Diameter of hole: 3mm without rubber stopper / 7mm with rubber stopper.
3. Fix the bracket by self-tapping screws on the proposed location on wall (the screw stopper can be used with self-tapping screws if needed).
4. Insert the hanging bracket that is on the back of the control box into the hanging hole of the bracket and push downwards.

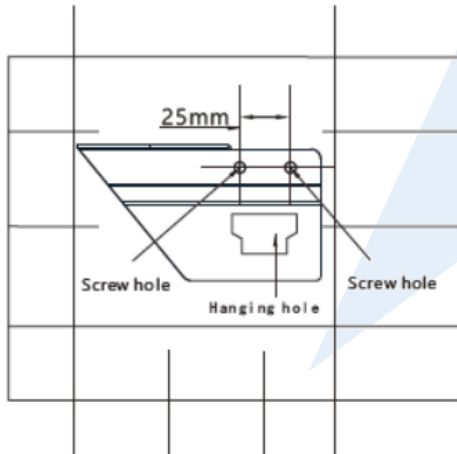


Figure 1

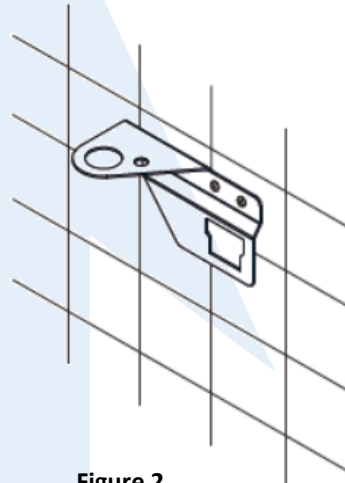
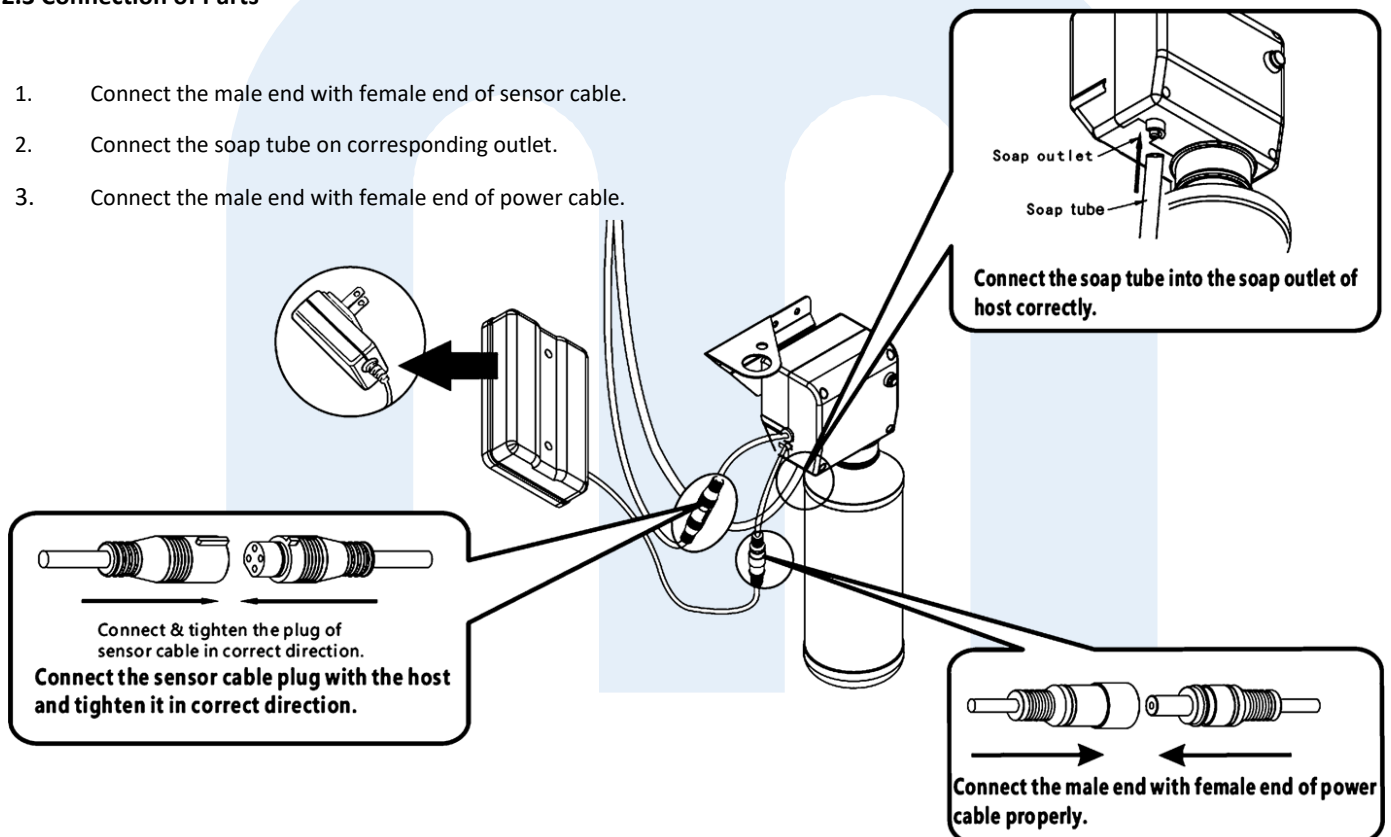


Figure 2

2.3 Connection of Parts

1. Connect the male end with female end of sensor cable.
2. Connect the soap tube on corresponding outlet.
3. Connect the male end with female end of power cable.



2.4 Testing for Use

After installation, please test the product according to the following instructions:

1. Connect with power after filling the soap into the bottle.
2. Press the key switch until the soap is spitting from the nozzle to prime the pump (Figure 1).
3. Put your hands under spout in appropriate distance (Figure 2).
4. Wait for soap to dispense in fixed amount (Figure 3).
5. Watch for any leakage from the connection point of the soap tube. If this occurs gently push the connecting tube into the outlet.
6. Do not place hands too close or directly beneath the sensing range to avoid the soap splashing (Figure 4).

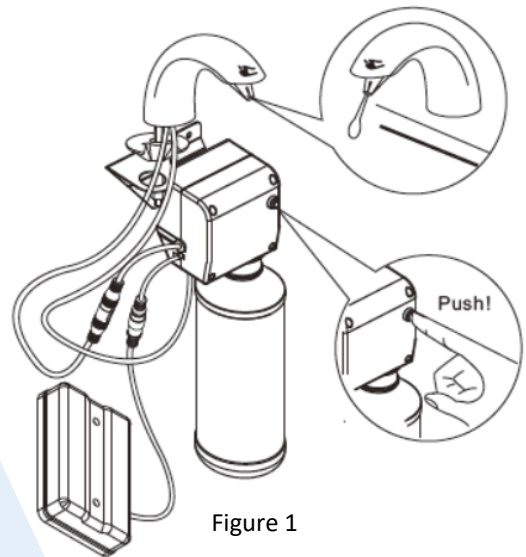


Figure 1



Figure 2

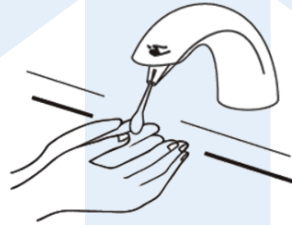


Figure 3



Figure 4

2.5 Refill or Replace Soap

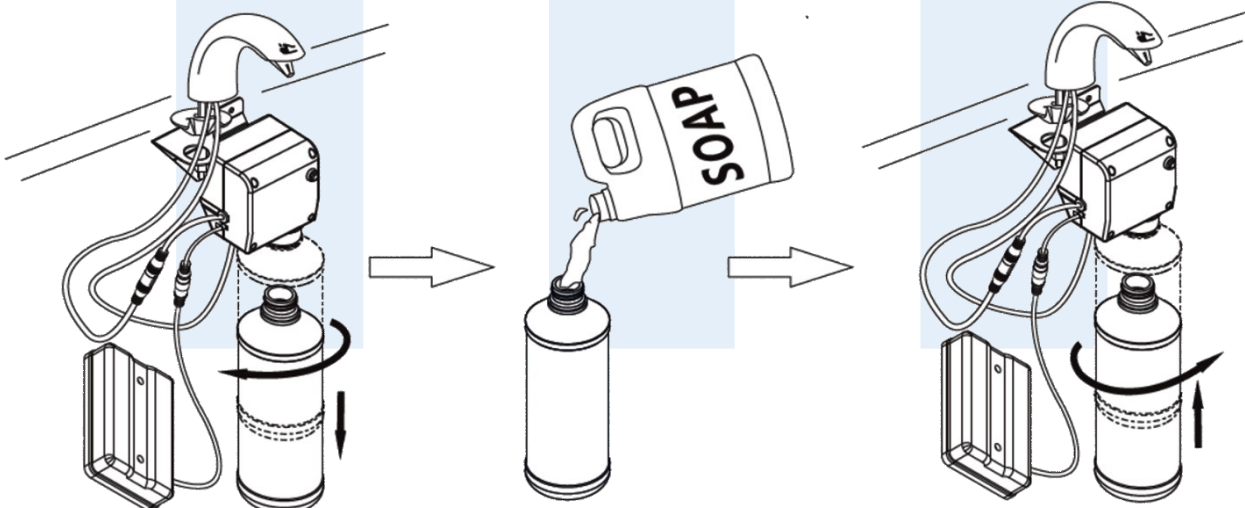
If you have the foam dispenser, simply twist off the top cap and refill soap.

If you have the soap dispenser, follow steps below:

1. Twist off the soap bottle

2. Refill the soap bottle

3. Reconnect the bottle with the control box



3. Care and Cleaning

Light cleaning

Use a soft cloth soaked with water to wash and dry the spout. Use the same cloth when dry to wipe off any stains on the sensor cabinet.

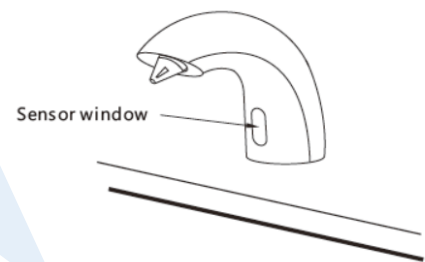
For heavy-dirt cleaning

Please use the cloth soaked with right amount of neutral detergent to wipe off the stain and then clean with water.

Please be careful when cleaning around the sensor cabinet to avoid scratching the sensor.

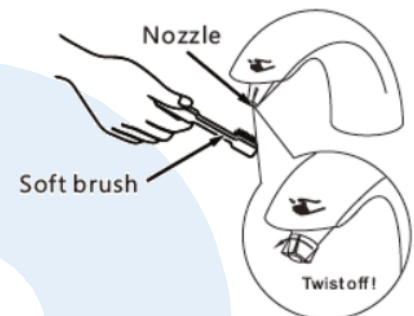
Do not use the following to clean the product:

- Acid detergents, chlorine decolorizer, alkali detergent or detergents containing abrasive grain, such as polishing powder.
- Solvents such as paint and the solvent covered benzene.
- Abrasive tools such as nylon brush/steel wool, etc.



Cleaning the nozzle and soap bottle

Please use a soft brush to clean the nozzle. Open by twisting. If the nozzle is blocked use an Allen Wrench.



Cleaning the control box and soap bottle

If there is block or back-flow occurs on the host, please wash the soap bottle completely and then refill with clear water into the bottle, then press the key switch to clean the host. Follow the steps for Testing For Use then repeat with soap.

3.1 Periodic Maintenance

Please check connection points monthly for soap leakage and fasten connection points accordingly every 6 months is required.

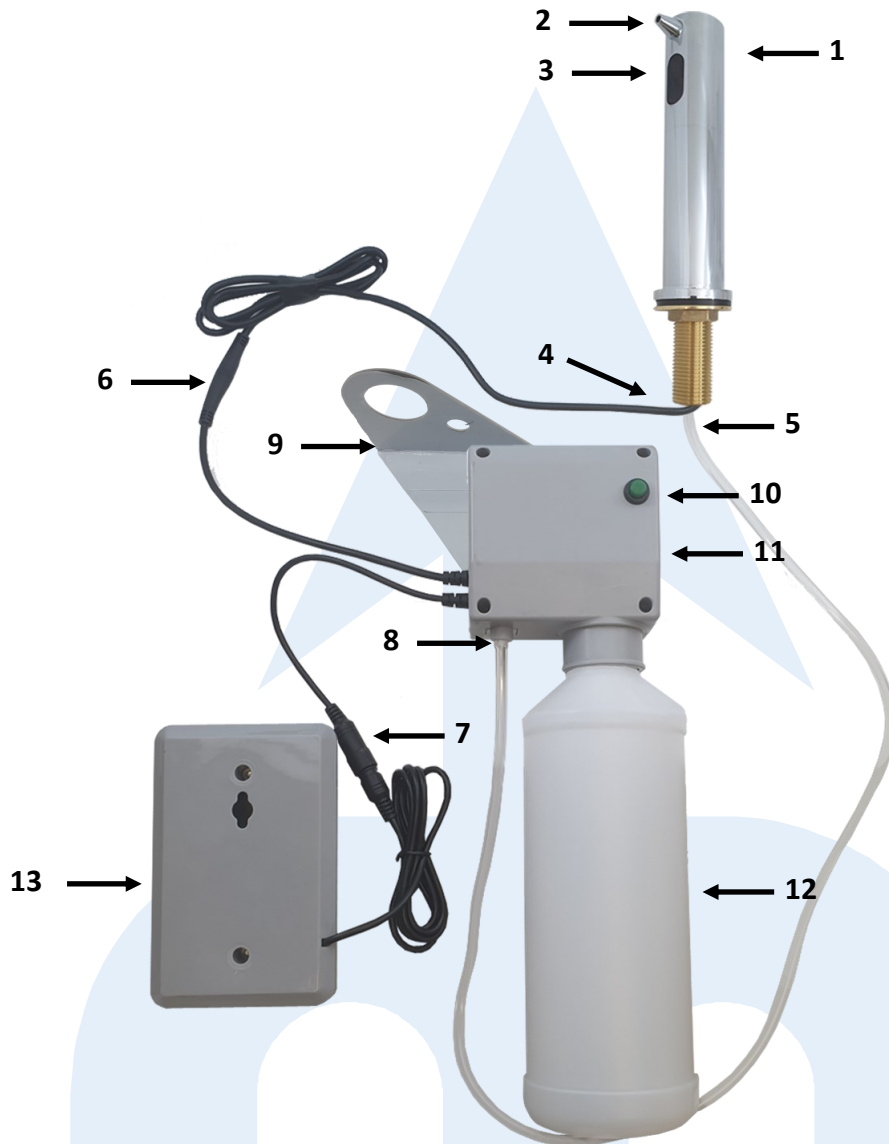
3.2 Long-term Suspension of Use

Please follow the below methods to undertake cleaning if the dispenser has not been used for a long time to clean out any soap in the soap tube.

1. Remove any existing soap in the bottle and clean it out with water.
2. Refill the soap bottle with clear water and complete the connection to the control box.
3. Press the key switch until the soap contained in the soap tube is pumped out completely.
4. Make sure the power is off and clean the soap bottle thoroughly, dry it, then refill with soap.
5. Follow the steps in Testing For Use.

4. Diagram and Parts List

CAT 68931 Soap Dispenser



No.	Part #	Description	No.	Part #	Description
1.	689-931	Dispenser Body (Chrome)	8.	689-019	Soap Outlet
2.	689-007	Nozzle	9.	689-011	Control Box Bracket
3.	689-000	Sensor	10.	689-023	Key Switch
4.	689-010	Sensor Wire	11.	689-003-2	Control Box
5.	689-021	Soap Tube	12.	689-003-1	Soap Bottle
6.	689-009	Sensor Plug	13.	689-004	6V Battery Box
7.	689-008	Power Plug		689-005	Power Adaptor
				689-001	Remote Control
				689-932	Dispenser Body (Satin)

