

MEFE
MITCHELL ENGINEERING
FOOD EQUIPMENT PTY LTD

Installation Manual



Automatic Sensor Tap Deck Mounted

CAT 67910 | CAT 6791032 | CAT 67911 | CAT 67917 | CAT 679178

Revision 3

Product Description

- * Micro-computer infrared sensor control module, low consumption microprocessor chip, stable performance, and strong anti-interference.
- * Memorises adjusted sensor distance and stores into the electronic chip.
- * Option to use either a 6V battery pack or a 240V Transformer (supplied with both options).
- * Sensor distance can be self adjusted according to the environment.
- * PCB electronic control module is double sealed and coated by a high performance waterproof membrane, then sealed with epoxy resin.
- * Faucet body is made of 304 Stainless Steel (**CAT 67917 & CAT 679178**) OR Standard #59 Brass (**CAT 67910, 6791032, CAT 67911**) with a superior electroplating to prevent corrosion and keeps the surface bright and shiny.
- * Water saving aerator used in faucet, to prevent water splash back and allow for a soft flow.
- * The faucet has been precisely manufactured and tested, ensuring the quality of the product reaches international standards.

Technical Data

Power:	AC 240V or DC 6V (4 x AA alkaline batteries)
Battery Life:	150,000 cycles
Sensing Distance:	10cm to 25cm (adjustable)
Working Temperature:	1°C - 60°C
Working Pressure:	0.07Mpa—0.7Mpa
Inlet Size:	BSP 1/2" (DN15) male thread
Installation Diameter:	Single hole (32mm)
Response Time:	Less than 0.7 seconds
Water Stop Protection:	60 seconds
Flow Rate:	Less than 3 L/s at 0.3Mpa
Ambient Humidity:	95% or less

Pre-Install information

Please choose the right basin before installation
Ensure all pipes are clean (flush pipes until water is clear)
Installation must be in accordance with AS/NZS 3500

Required Tools



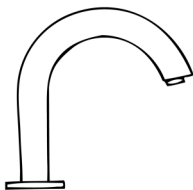
12mm Socket Screw Driver



Phillips Head Screw Driver



Shifter Spanner



The sensor tap will run when hands are detected.

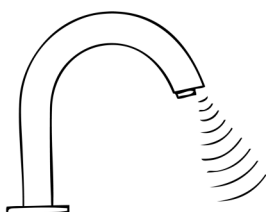
Tap will remain on for as long as hands are in range.

The sensing range is automatically calibrated when first connected to power.



When the user's hand is placed in the sensing range area, the solenoid valve is activated opening the flow of water.

The tap will automatically switch off when hands are removed, to reactivate flow simply place hands under sensor.



After the user's hand leaves the sensing range, the solenoid valve is closed.

The infrared sensor continues to emit invisible infrared light, waiting for the next user.

Note:

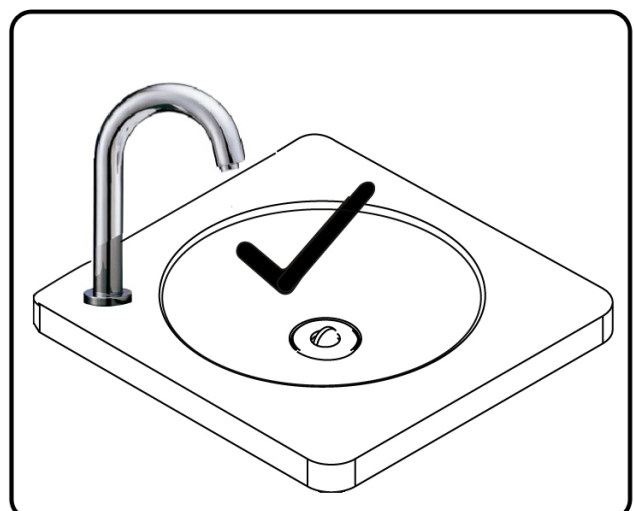
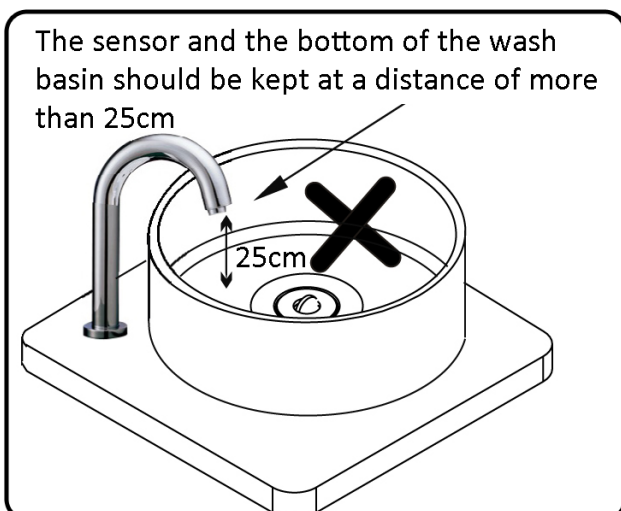
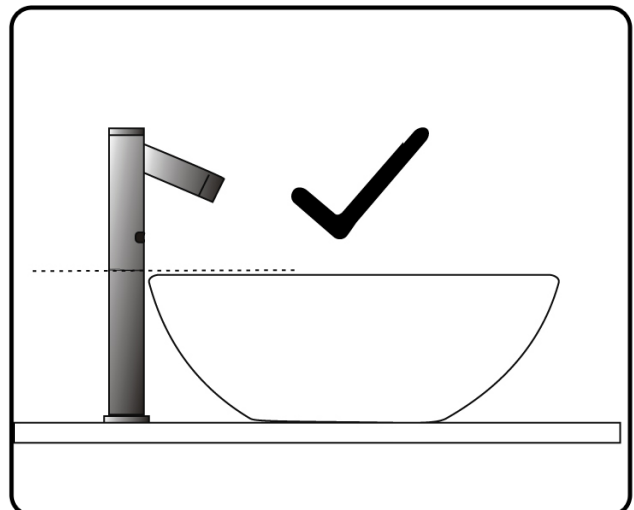
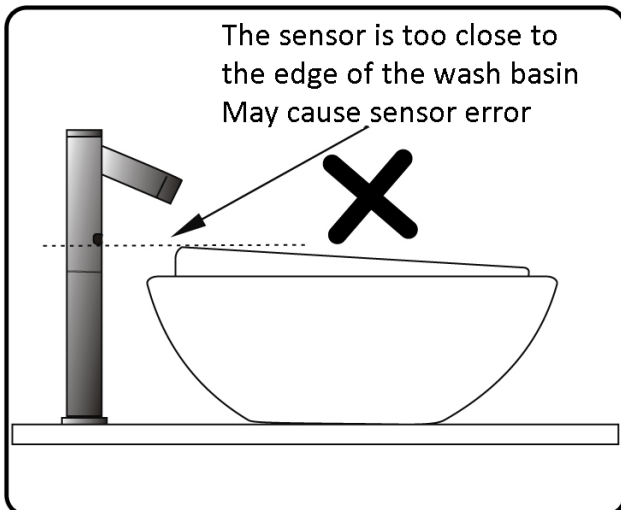
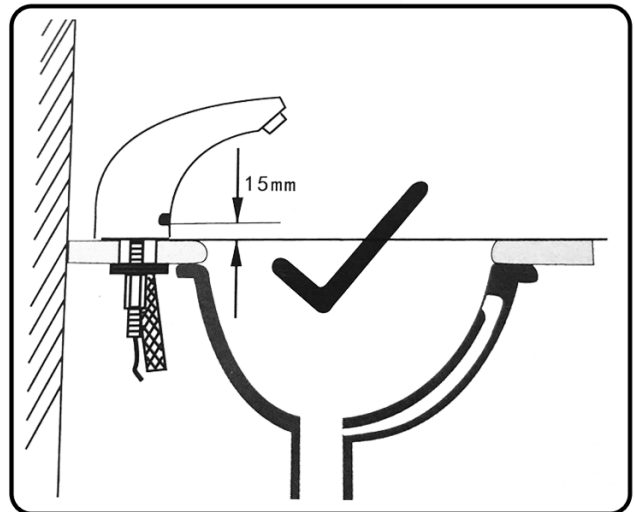
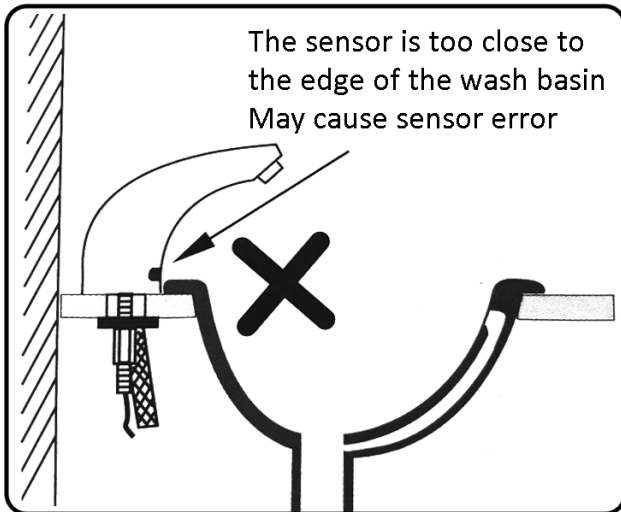
If a user has been using the device for more than 60 seconds, or the faucet is in the sensing state for a long time, the faucet solenoid valve will automatically close until the user leaves the sensing range, and the sensor faucet function resumes normal operation

Prior to Installation

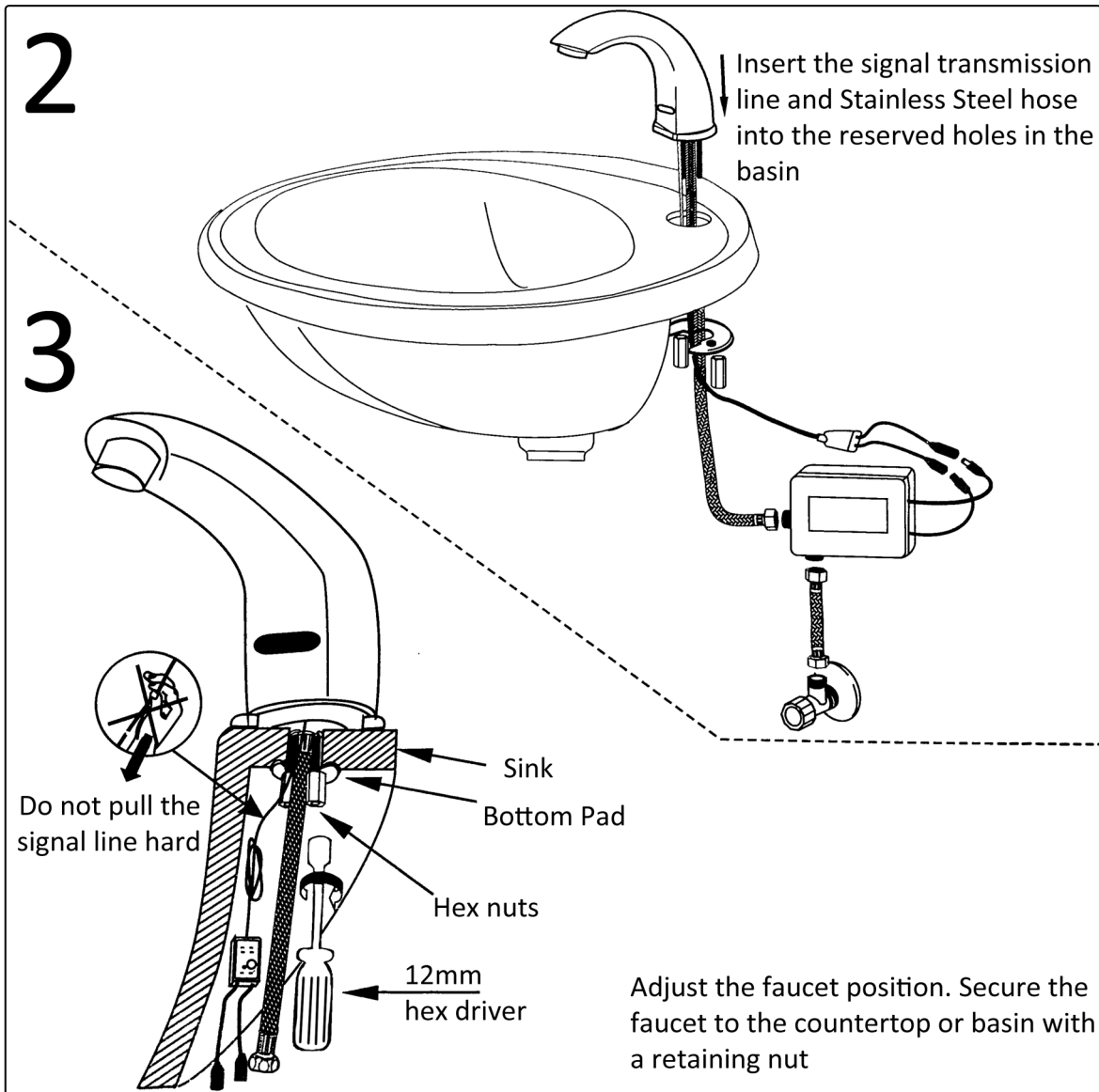
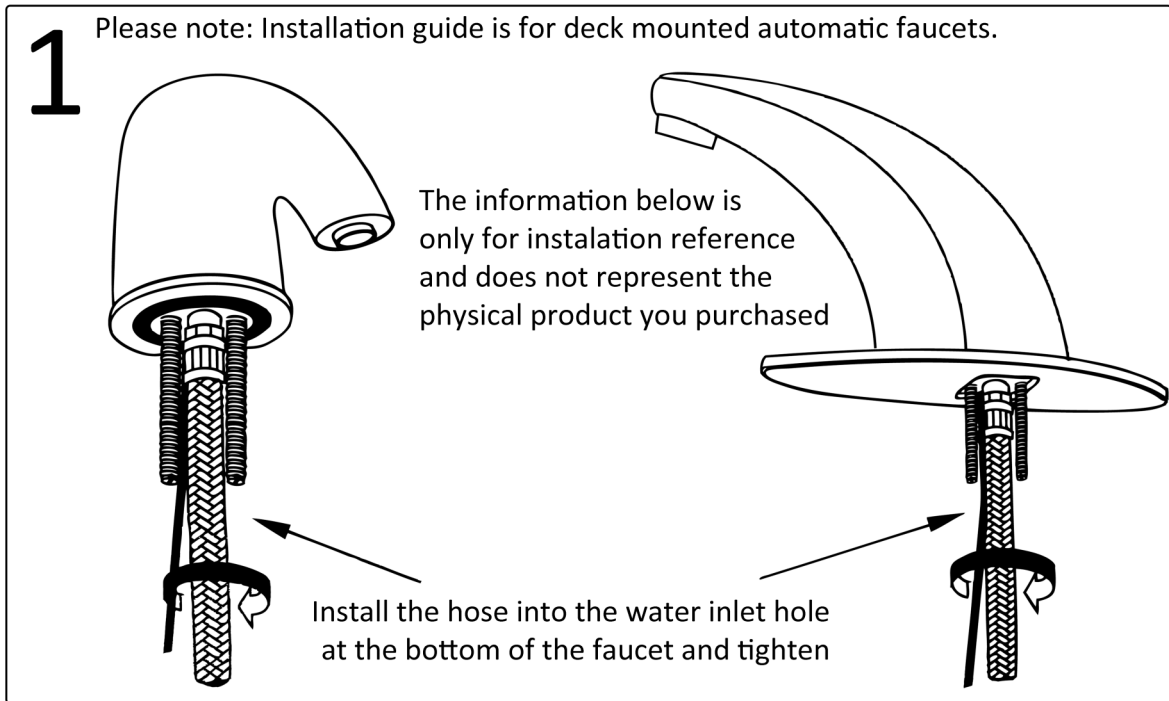
Please choose the right basin prior to installation

Please Note:

The sensor must be 15mm or more above the wash basin or countertop



Installation:



Installation:

4

Pay attention to the direction of the solenoid valve plug, **do not** insert in reverse

1. Ensure there is a shut off valve installed at the wall connection.
2. Fix the housing box to the wall.
3. Connect the other end of the hose coming from the faucet body to the water outlet of the control box.
4. Use a 20cm long hose with 1/2" nut on both sides. Connect the water outlet of the shut off valve, and the water inlet of the control box.
5. Insert the sensor cable into the socket on the control box.
6. When the power is turned on, the LED on the sensor controller wil flash 3 times.

5

Place your hand under the water outlet and the solenoid valve will make a click The LED in the sensor will flash. Water is activated. Remove hand and water will stop. Place supplied red or blue dot on head of faucet to identify hot or cold water

●
●

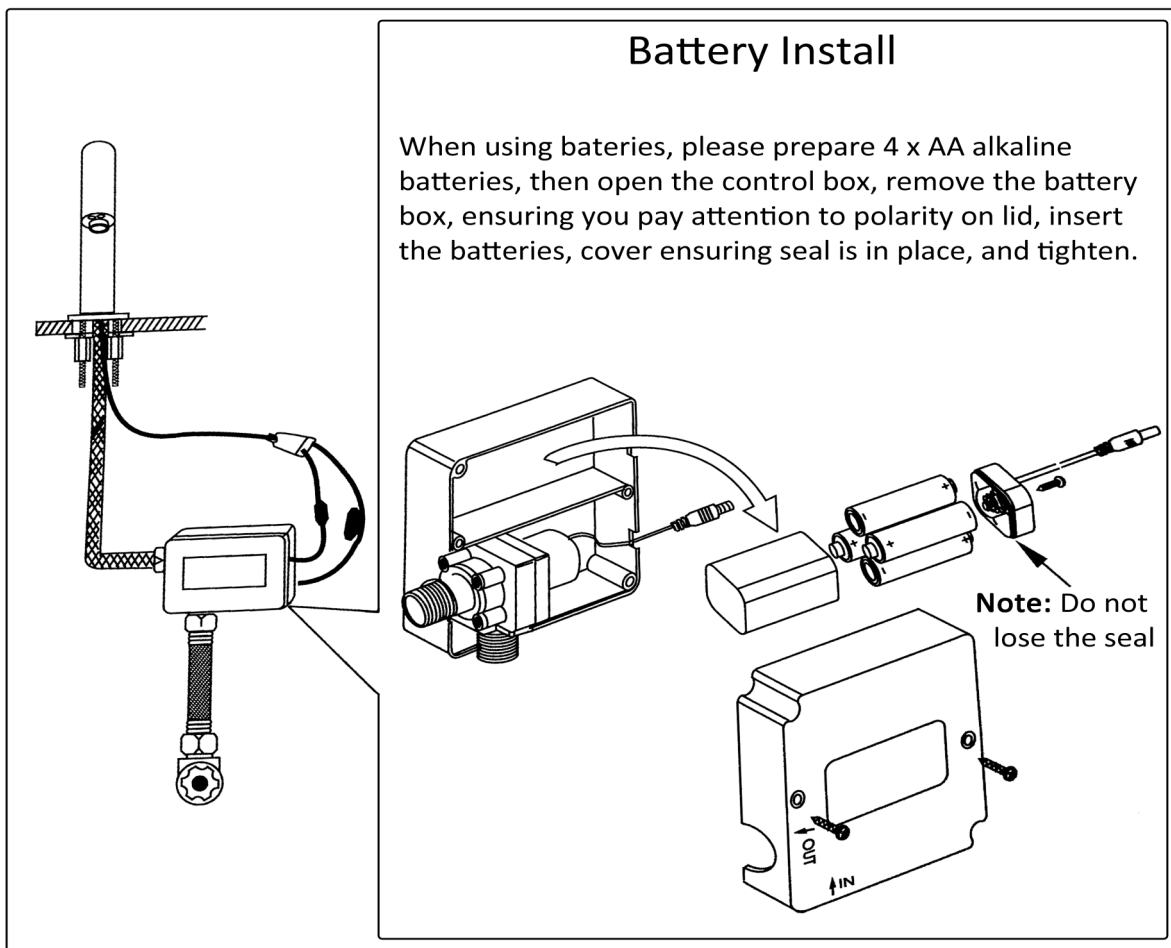
Hot and Cold water mixer Installation Diagram:

Mixer CAT 67M

2 x 20mm flex hose

DN15 nut on both ends

Optional

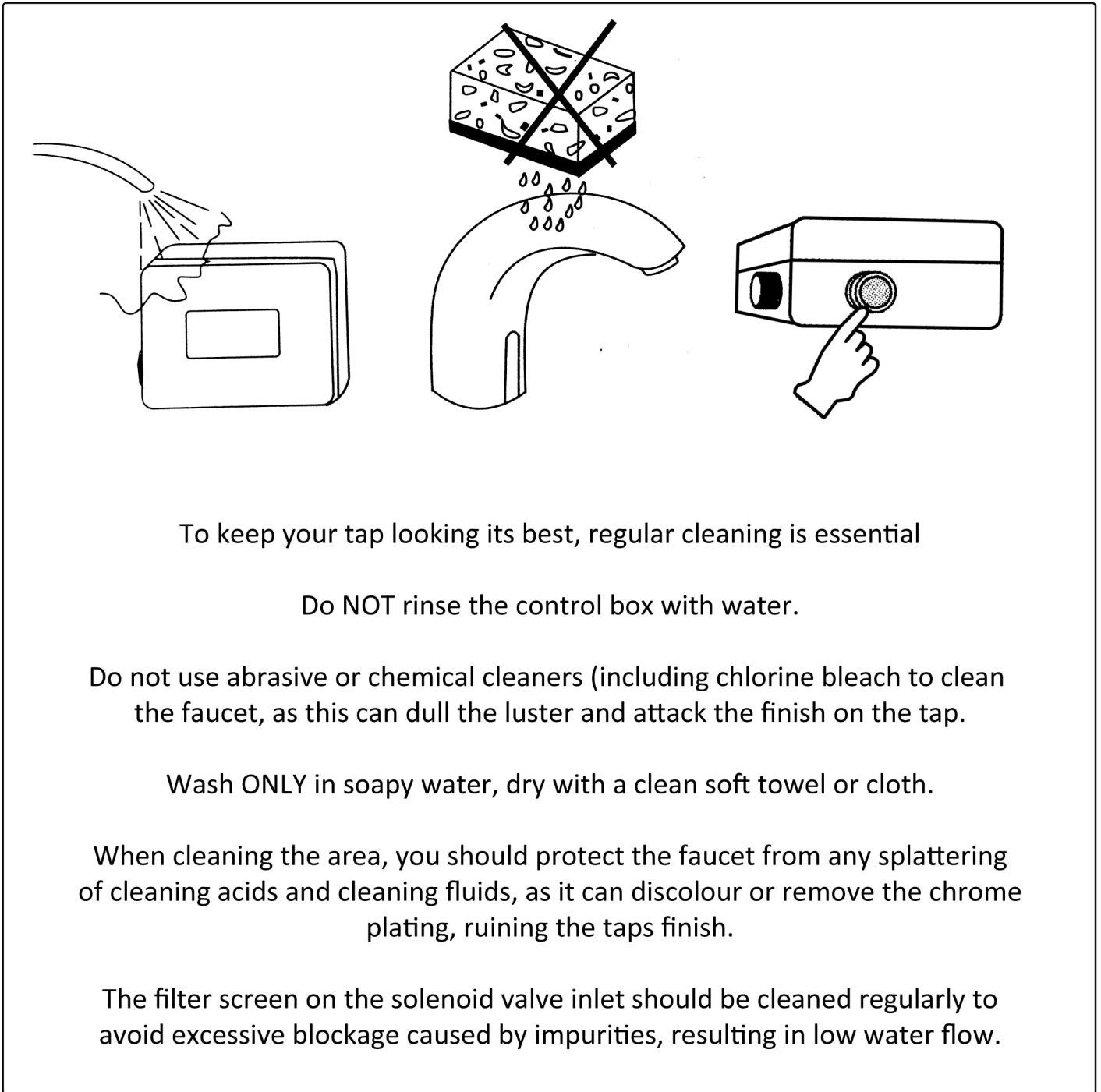


Fault Check:

The automatic faucet is mainly divided into three components, the sensor, the solenoid valve and the power supply. The solenoid valve and power supply are universal and interchangeable parts across our range of same type auto taps. The Sensor is specific to the spout shape. When there is a problem simply swap parts from spares holding or with other taps until the faulty part is identified and can be replaced.

1. If the faucet has no water flow, first check the power supply. If batteries are used, install new batteries, the sensor light will flash (indicating programming mode is working on sensing and programming distance range), indicating the power supply is operational. When placing hands under the tap, if the sensor light does **not** light up, replace the sensor.
2. The faucet will enter a programming mode for the first 60 seconds after the power supply is connected. If after this stage your faucet is working intermittently, it is most likely caused by the reflection of the basin being too strong, at this time it is recommended to remove power from the faucet for 2 minutes, and then reconnected to allow the sensor to adjust a shorter sensing range.
3. If there is no water, place and then remove hands from under faucet, you should hear a “click” sound from the solenoid valve, indicating the sensor works normally. This will indicate water is not supplied or unable to flow - Check the solenoid inlet for obstruction, the solenoid diaphragm could also be blocked; opening and cleaning the solenoid may be necessary or simply replace solenoid.
4. If the faucet does not stop flowing, it may be that the solenoid valve is faulty and should be replaced. Leaking Faucet—slow flow constantly will indicate diaphragm is not sealing from debris, is cracked or torn, replace diaphragm or complete solenoid.

Cleaning:



To keep your tap looking its best, regular cleaning is essential

Do NOT rinse the control box with water.

Do not use abrasive or chemical cleaners (including chlorine bleach to clean the faucet, as this can dull the luster and attack the finish on the tap.

Wash ONLY in soapy water, dry with a clean soft towel or cloth.

When cleaning the area, you should protect the faucet from any splattering of cleaning acids and cleaning fluids, as it can discolour or remove the chrome plating, ruining the taps finish.

The filter screen on the solenoid valve inlet should be cleaned regularly to avoid excessive blockage caused by impurities, resulting in low water flow.



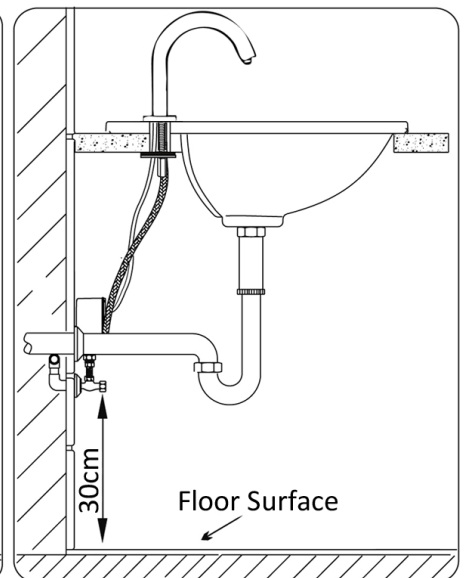
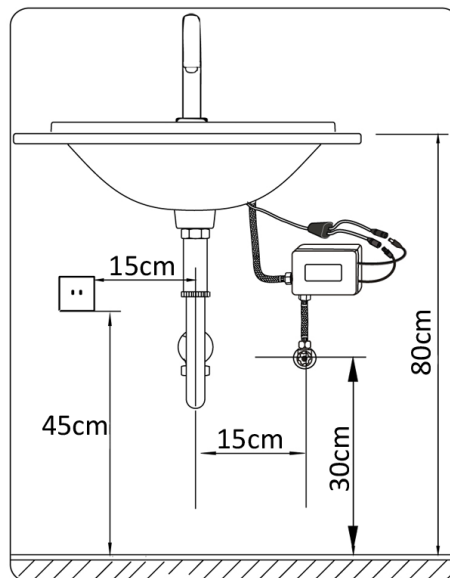
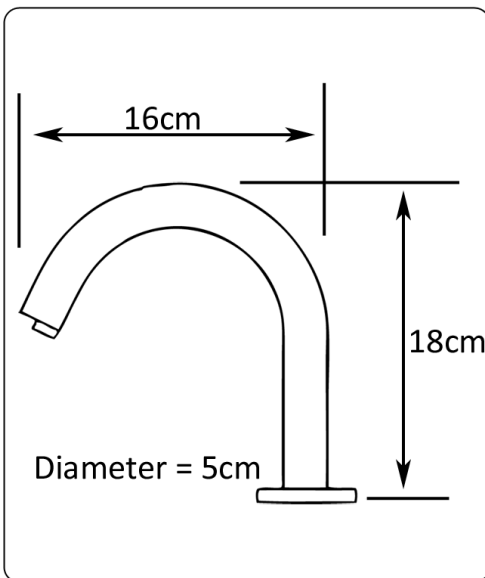
The more stars the more water efficient

WATER RATING
www.waterrating.gov.au

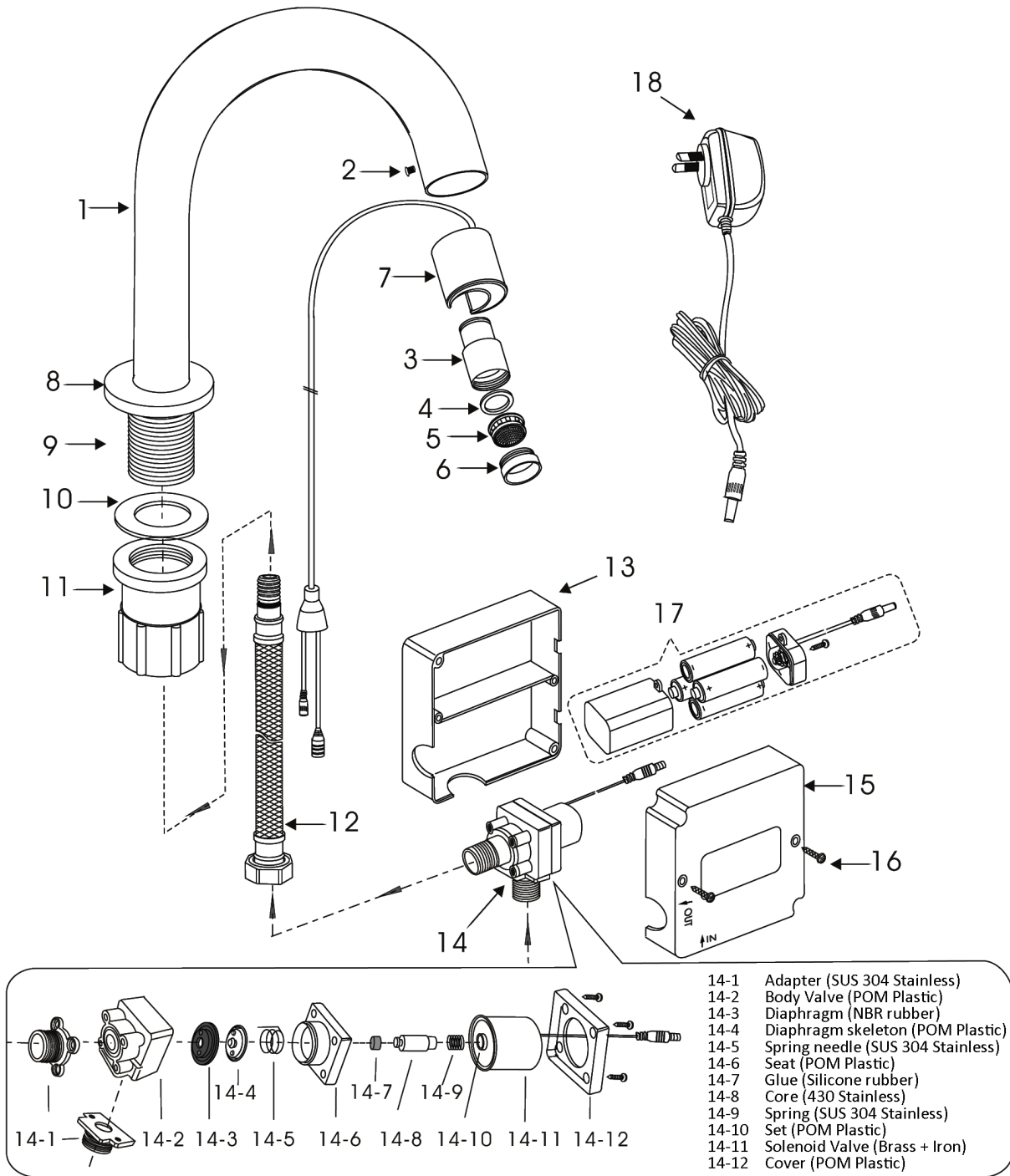
4.5 litres per minute

In accordance with AS/NZS 6400

Licence No. 1718
Mitchell Engineering Food Equipment Pty Ltd



CAT 67910 Automatic Faucet Exploded View



No.	Part #	Description	Material	No.	Part #	Description	Material
1.	679-100	Faucet Body	Brass CW602N	10.	679-109	Mat	NBR Rubber
2.	673-045	Screw	SUS 304 Stainless Steel	11.	679-110	Copper Nut	POM Plastic + Brass
3.	673-054C	Spout Adapter	Brass CW602N	12.	673-058	Braided Hose	SUS 304 Stainless WMKA21505
4.	673-054B	Rubber Mat	NBR Rubber	13.	679-120	Housing	ABS Plastic
5.	673-054	Aerator	POM Plastic	14.	679-122	Solenoid Valve	POM Plastic WMKA21177
6.	673-054A	Spout Shell	Brass CW602N	15.	679-120	Housing	ABS Plastic
7.	673-106	Sensor	Electronic Hardware	16.	679-127	Screw	SUS 304 Stainless Steel
8.	679-107B	Cover	Brass CW602N	17.	679-121	Battery Box	ABS Plastic
9.	679-108	S/Steel Bolt	SUS 304 Stainless Steel	18.	679-128	Power Adaptor	Electronic Hardware



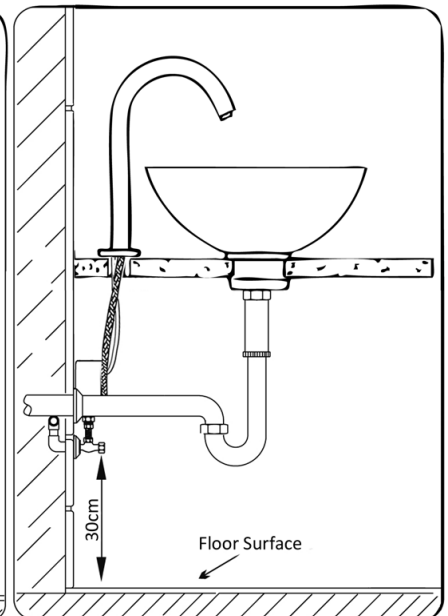
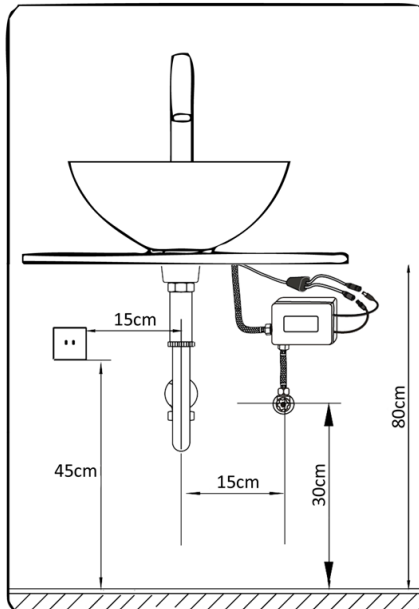
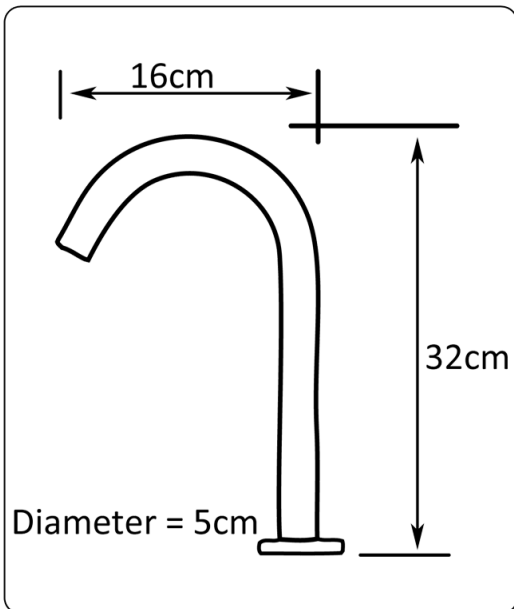
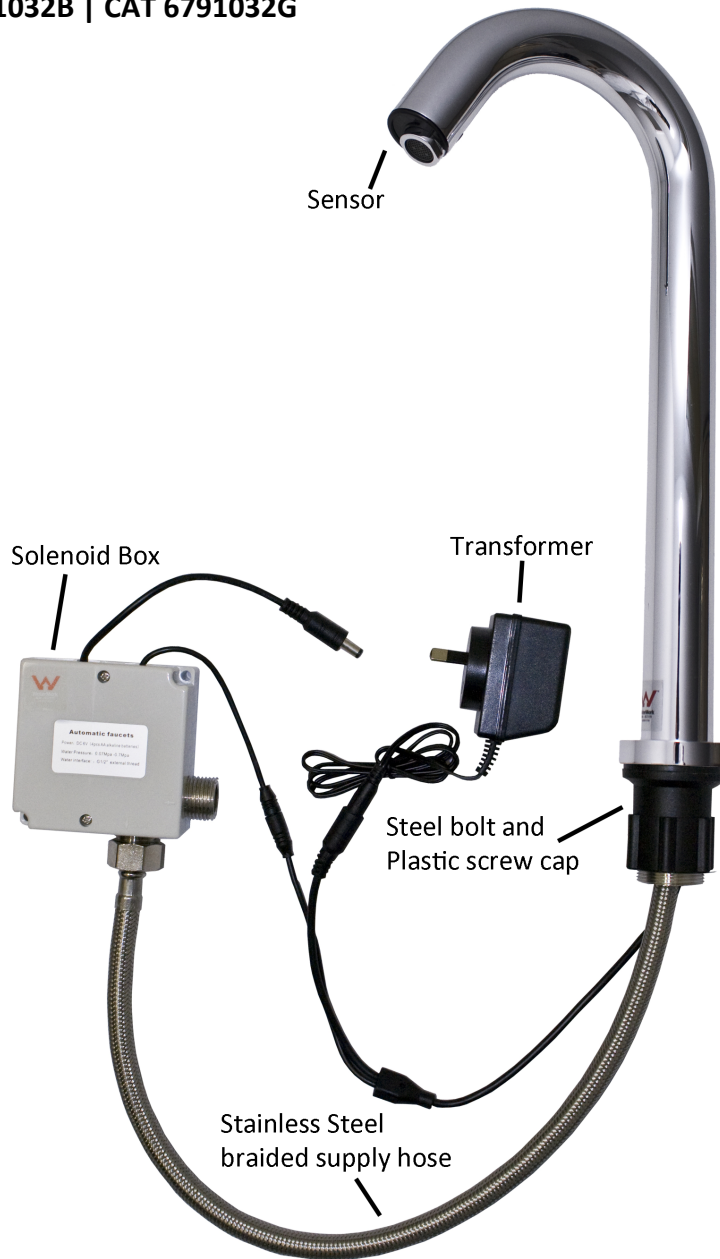
The more stars the more water efficient

WATER RATING
www.waterrating.gov.au

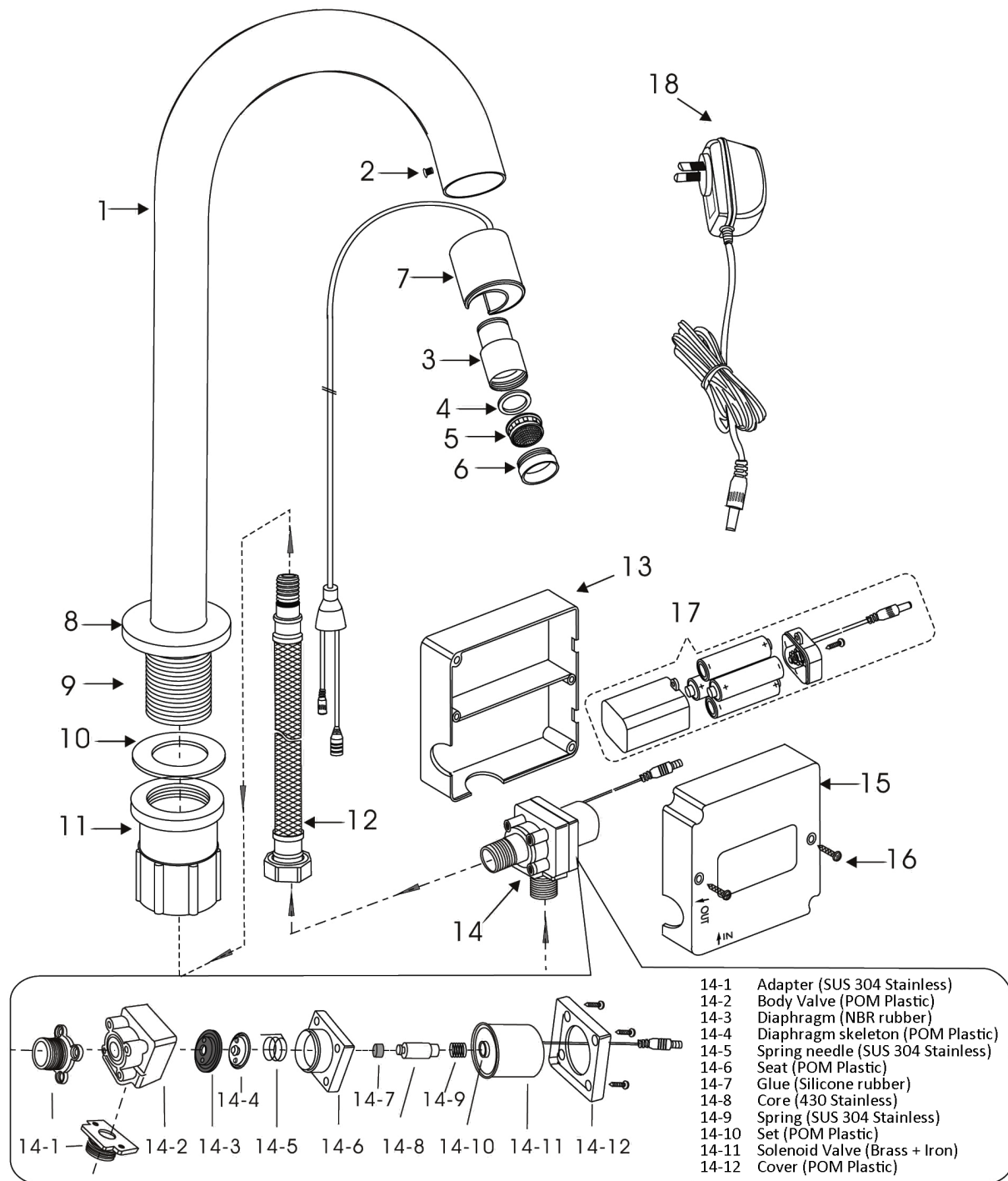
4.5 litres per minute

In accordance with AS/NZS 6400

Licence No. 1718
Mitchell Engineering Food Equipment Pty Ltd



CAT 6791032 Automatic Faucet Exploded View



No.	Part #	Description	Material	No.	Part #	Description	Material
1.	679-103-200	Faucet Body	Brass CW602N	10.	679-109	Mat	NBR Rubber
2.	673-045	Screw	SUS 304 Stainless S	11.	679-110	Copper Nut	POM Plastic + Brass
3.	673-054C	Spout Adapter	Brass CW602N	12.	673-058	Braided Hose	SUS 304 Stainless WMKA21505
4.	673-054B	Rubber Mat	NBR Rubber	13.	679-120	Housing	ABS Plastic
5.	673-054	Aerator	POM Plastic	14.	679-122	Solenoid Valve	POM Plastic WMKA21177
6.	673-054A	Spout Shell	Brass CW602N	15.	679-120	Housing	ABS Plastic
7.	673-106	Sensor	Electronic Hardware	16.	679-127	Screw	SUS 304 Stainless Steel
8.	679-107B	Cover	Brass CW602N	17.	679-121	Battery Box	ABS Plastic
9.	679-108	S/Steel Bolt	SUS 304 Stainless S	18.	679-128	Power Adaptor	Electronic Hardware



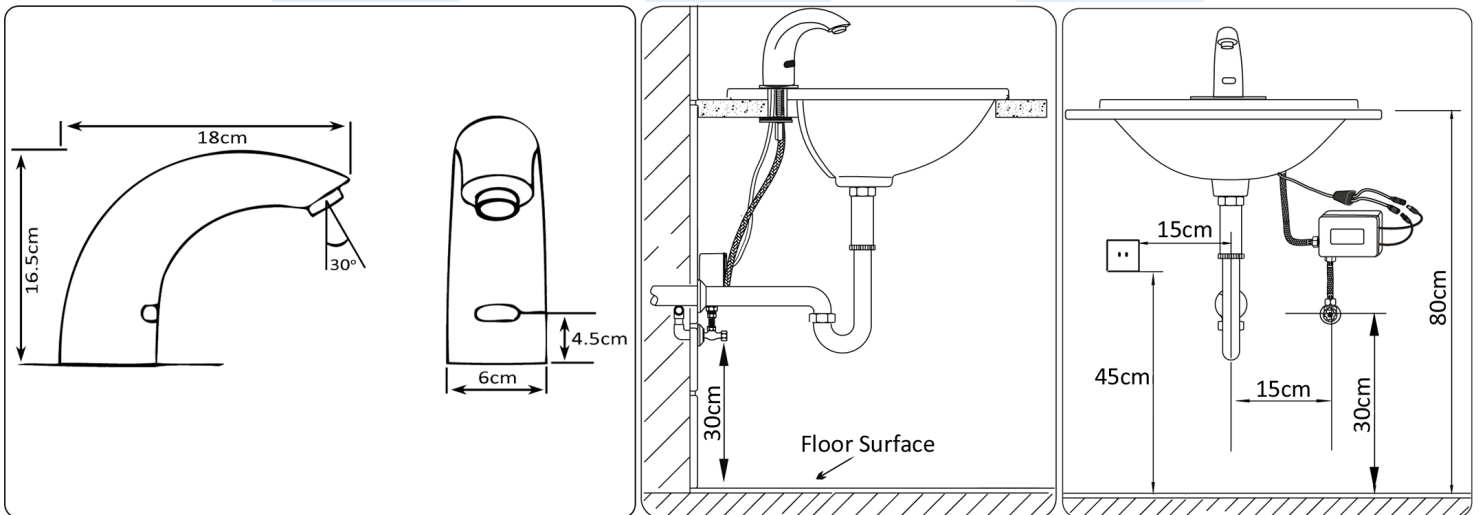
The more stars the more water efficient

WATER RATING
www.waterrating.gov.au

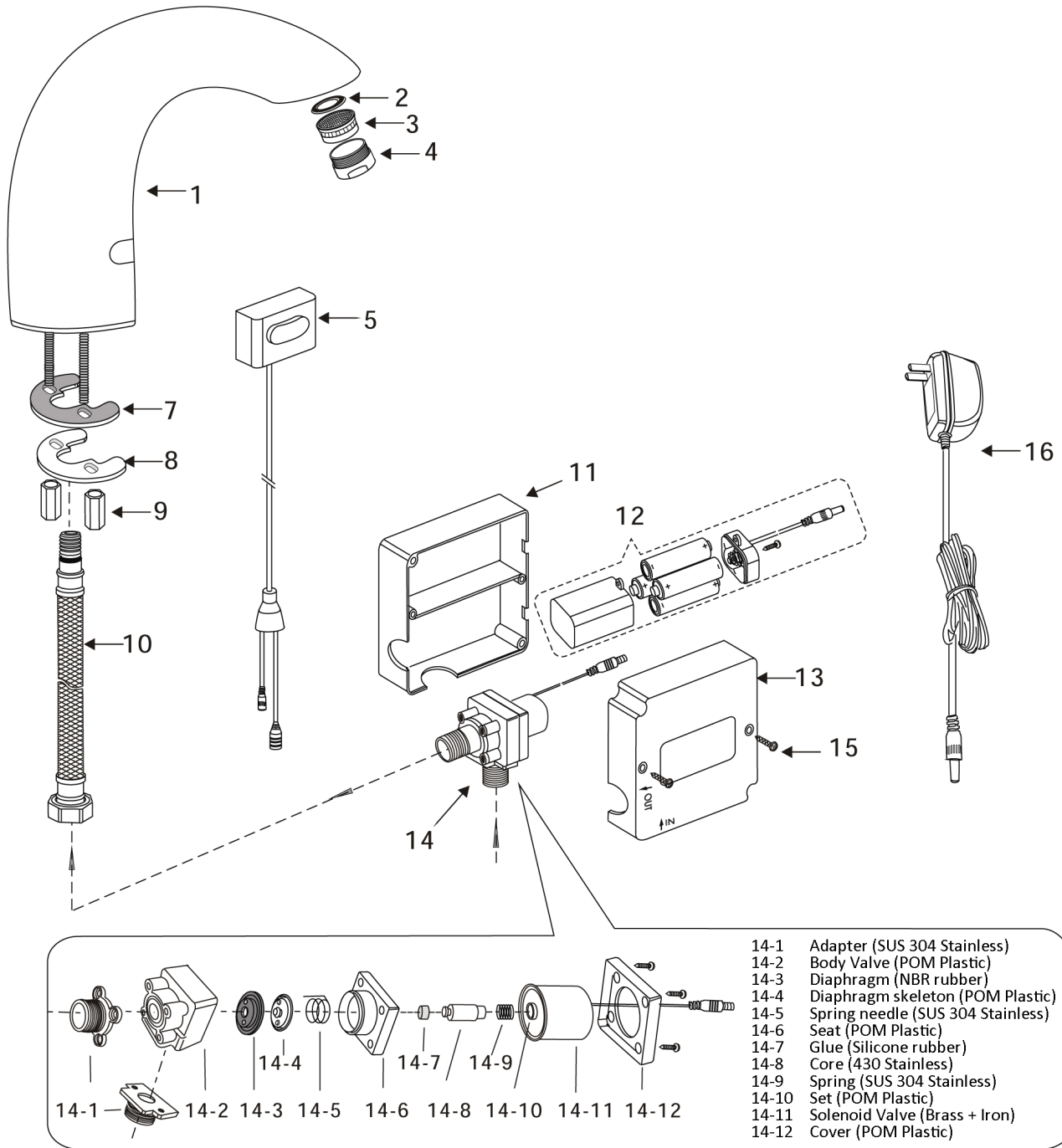
5.0 litres per minute

In accordance with AS/NZS 6400

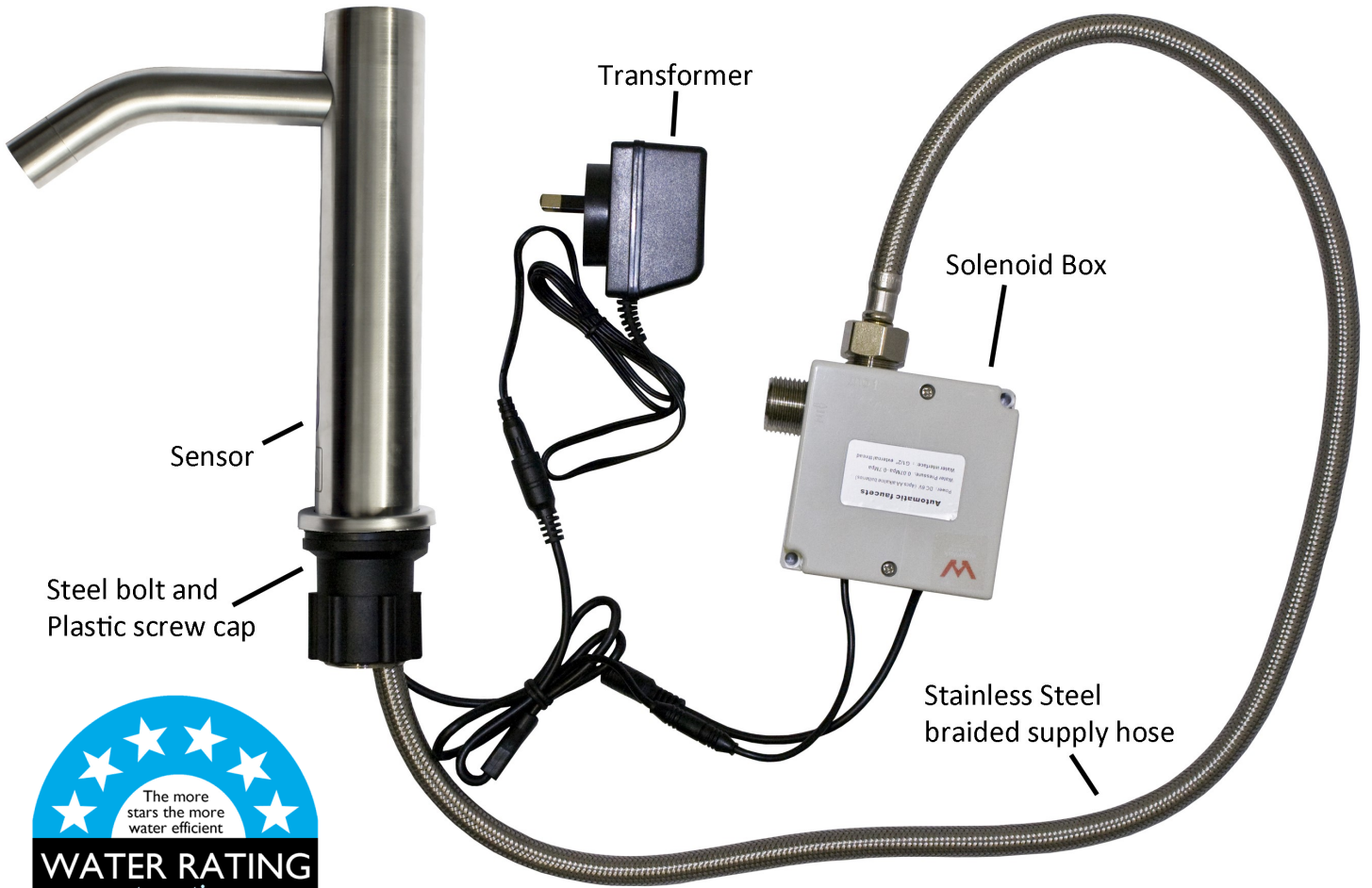
Licence No. 1718
Mitchell Engineering Food Equipment Pty Ltd



CAT 67911 Automatic Faucet Exploded View



No.	Part #	Description	Material	No.	Part #	Description	Material
1.	679-111	Faucet Body	Brass CW602N	10.	673-058	Braided Hose	SUS 304 Stainless WMKA21505
2.	673-033B	Rubber Mat	NBR Rubber	11.	679-120	Housing	ABS Plastic
3.	673-033	Aerator	POM Plastic WMKA21177	12.	679-121	Battery Box	ABS Plastic
4.	673-033A	Spout Shell	Brass CW602N	13.	679-120	Housing	ABS Plastic
5.	679-115	Sensor	Electronic Hardware	14.	679-122	Solenoid Valve	POM Plastic WMKA21177
6.	N/A	N/A	N/A	15.	679-127	Screw	SUS 304 Stainless Steel
7.	679-116	Rubber Mat	NBR Rubber	16.	679-128	Power Adaptor	Electronic Hardware
8.	679-117	Brass Mat	Brass	17.	N/A	N/A	N/A
9.	679-118	Copper Nut	Brass	18.	N/A	N/A	N/A



The more stars the more water efficient

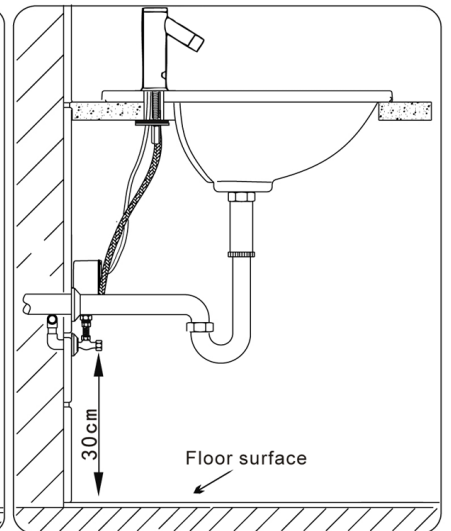
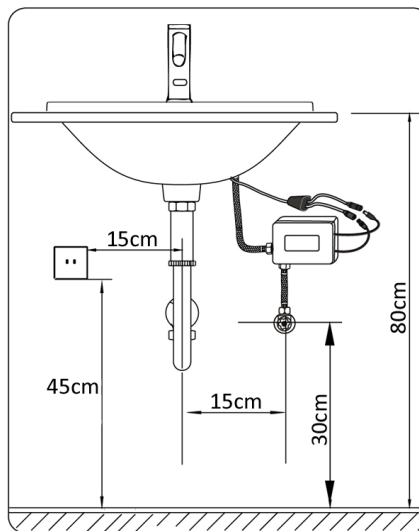
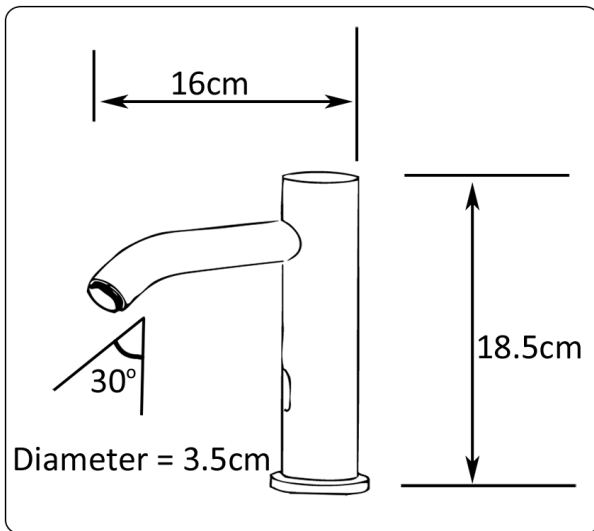
WATER RATING
www.waterrating.gov.au

5.5 litres per minute

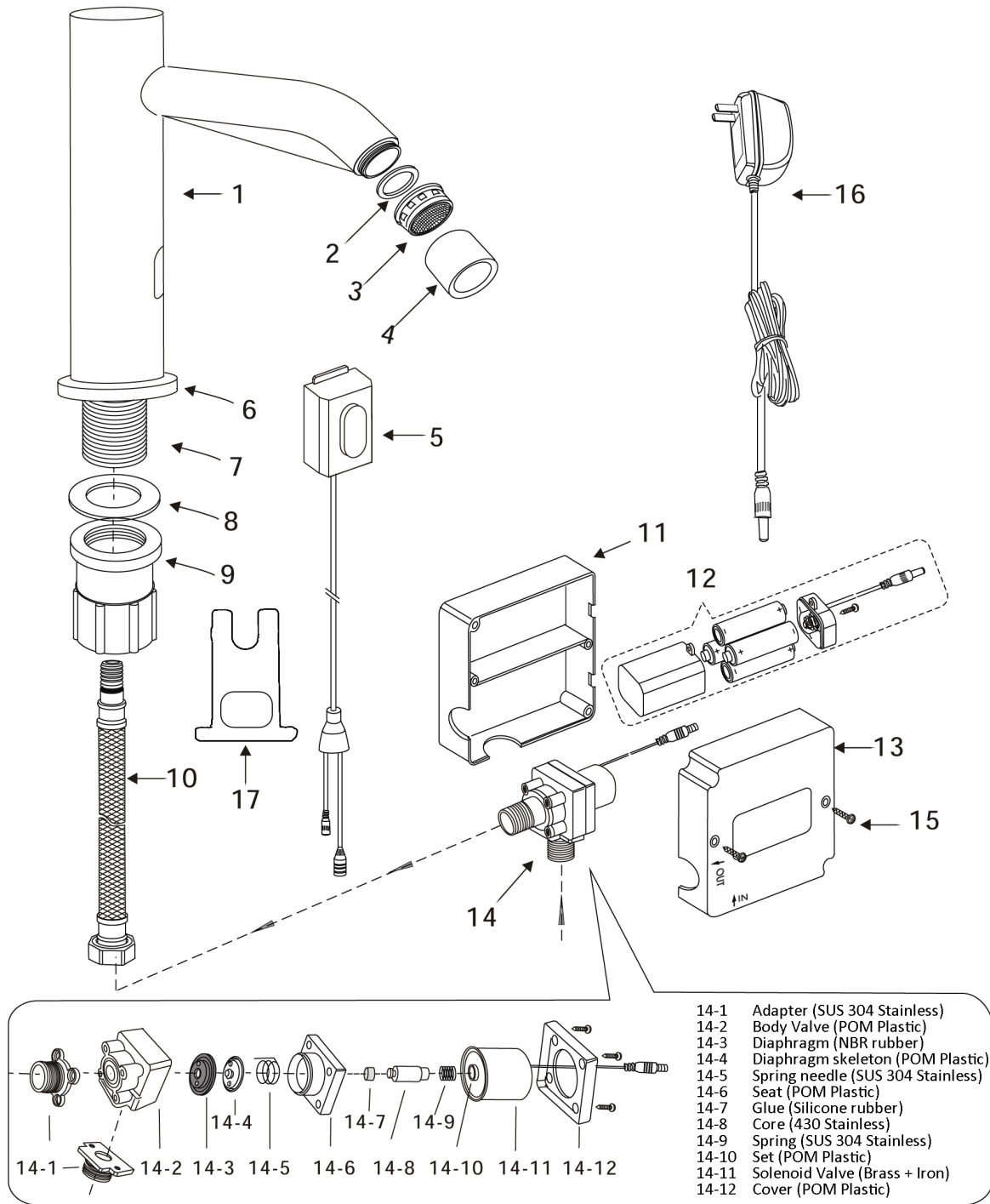
In accordance with AS/NZS 6400

Licence No. 1718
Mitchell Engineering Food Equipment Pty Ltd

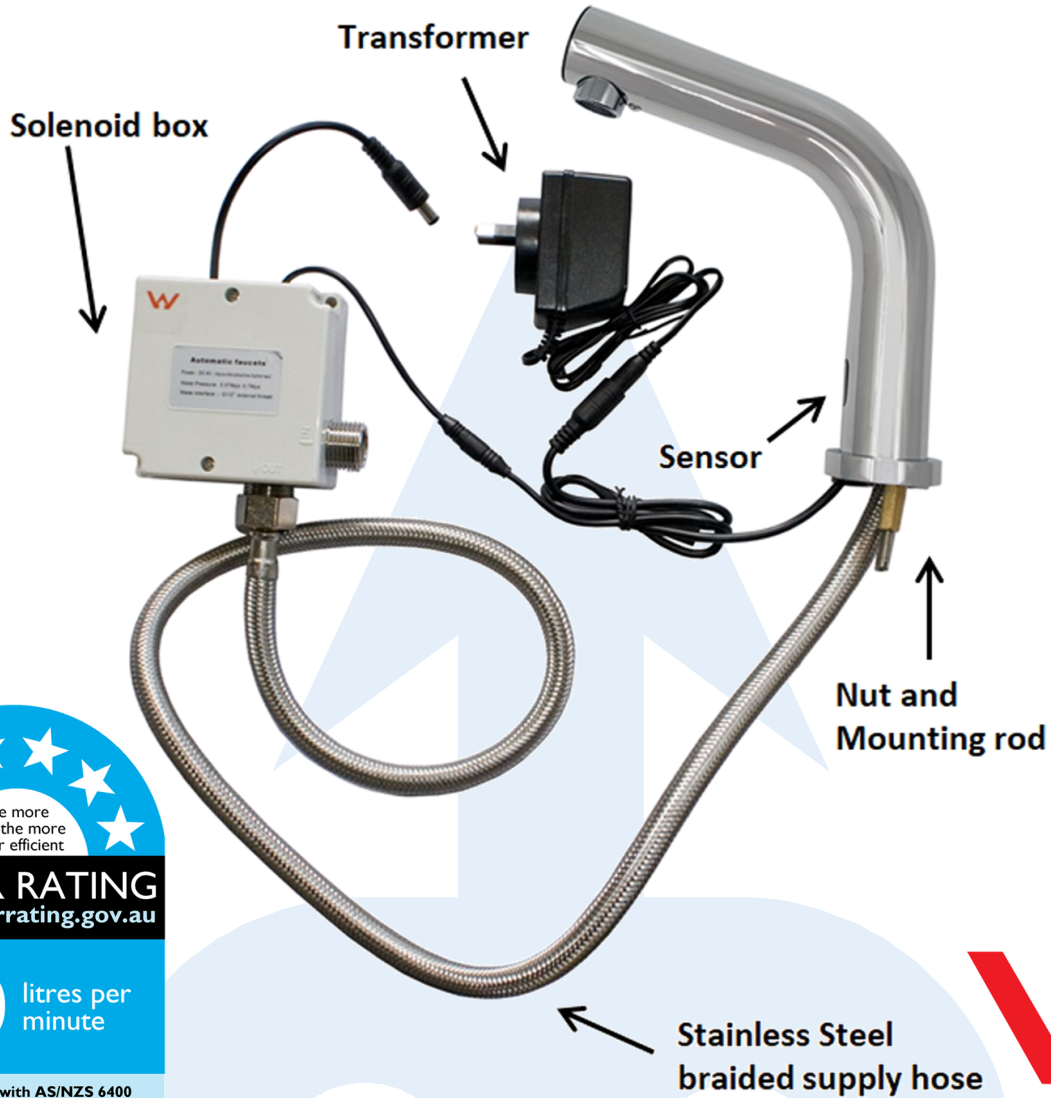
WaterMark
WM - 022559
AS/NZS 3718



CAT 67917 Automatic Faucet Exploded View



No.	Part #	Description	Material	No.	Part #	Description	Material
1.	679-170	Faucet Body	SUS 304 Stainless Steel	10.	673-058	Braided Hose	SUS 304 Stainless WMKA21505
2.	679-172	Rubber Mat	NBR Rubber	11.	679-120	Housing	ABS Plastic
3.	679-173	Aerator	POM Plastic	12.	679-121	Battery Box	ABS Plastic
4.	679-171	Spout Shell	SUS 304 Stainless Steel	13.	679-120	Housing	ABS Plastic
5.	679-131	Sensor	Electronic Hardware	14.	679-122	Solenoid Valve	POM Plastic + SUS 304 S/Steel
6.	679-107	Cover	SUS 304 Stainless Steel	15.	679-038	Screw	SUS 304 Stainless Steel
7.	679-108	S/Steel Bolt	SUS 304 Stainless Steel	16.	679-128	Power Adaptor	Electronic Hardware
8.	679-109	Mat	NBR Rubber	17.	679-129	Sensor Lock	POM Plastic
9.	679-110	Copper Nut	POM Plastic + Brass	18.	N/A	N/A	N/A



The more stars the more water efficient

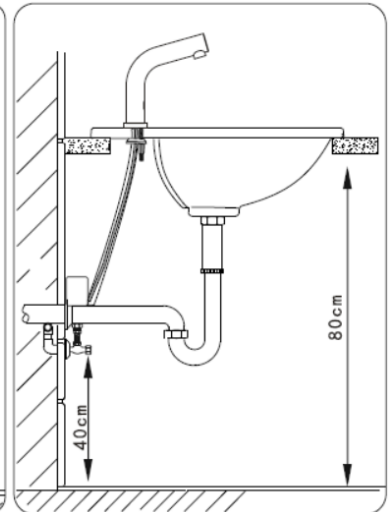
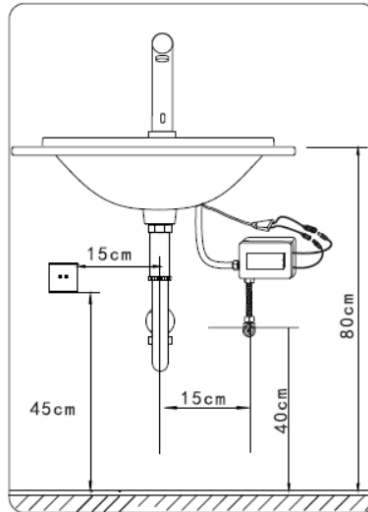
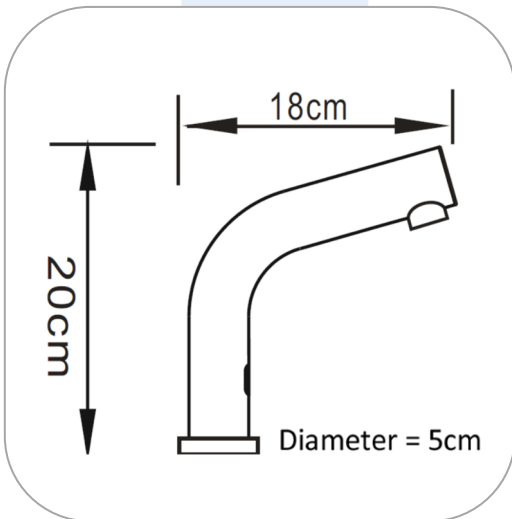
WATER RATING
www.waterrating.gov.au

5.0 litres per minute

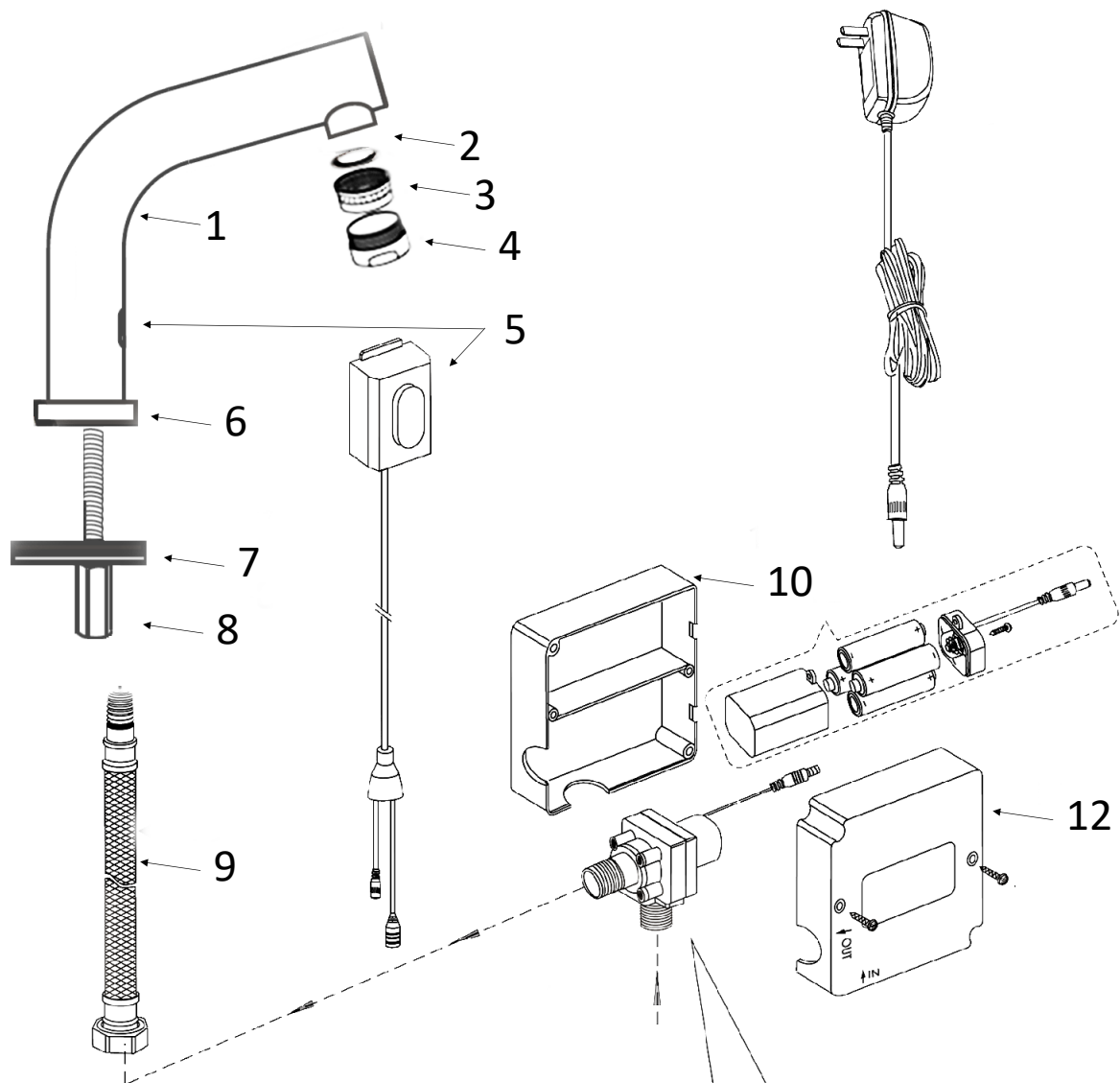
In accordance with AS/NZS 6400

Licence No. 1718
Mitchell Engineering Food Equipment Pty Ltd

WaterMark
WM - 022559
AS/NZS 3718



CAT 679178 Automatic Faucet Exploded View



- 14-1 Adapter (SUS 304 Stainless)
- 14-2 Body Valve (POM Plastic)
- 14-3 Diaphragm (NBR rubber)
- 14-4 Diaphragm skeleton (POM Plastic)
- 14-5 Spring needle (SUS 304 Stainless)
- 14-6 Seat (POM Plastic)
- 14-7 Glue (Silicone rubber)
- 14-8 Core (430 Stainless)
- 14-9 Spring (SUS 304 Stainless)
- 14-10 Set (POM Plastic)
- 14-11 Solenoid Valve (Brass + Iron)
- 14-12 Cover (POM Plastic)

No.	Part #	Description	Material	No.	Part #	Description	Material
1.	679-800	Faucet Body	SUS 304 Stainless Steel	9.	673-058L	Braided Hose	SUS 304 Stainless WMKA21506
2.	673-033B	Rubber Mat	NBR Rubber	10.	679-120	Housing	ABS Plastic
3.	673-033	Aerator	POM Plastic	11.	679-121	Battery Box	ABS Plastic
4.	673-033D	Spout Shell	SUS 304 Stainless Steel	12.	679-120	Housing	ABS Plastic
5.	679-131	Sensor	Electronic Hardware	13.	679-122	Solenoid Valve	POM Plastic + SUS 304 S/Steel
6.	679-107C	Cover	SUS 304 Stainless Steel	14.	679-127	Screw	SUS 304 Stainless Steel
7.	679-116	Rubber Mat	NBR Rubber	15.	679-128	Power Adaptor	Electronic Hardware
8.	679-118	Copper Nut	Brass	16.	N/A	N/A	N/A