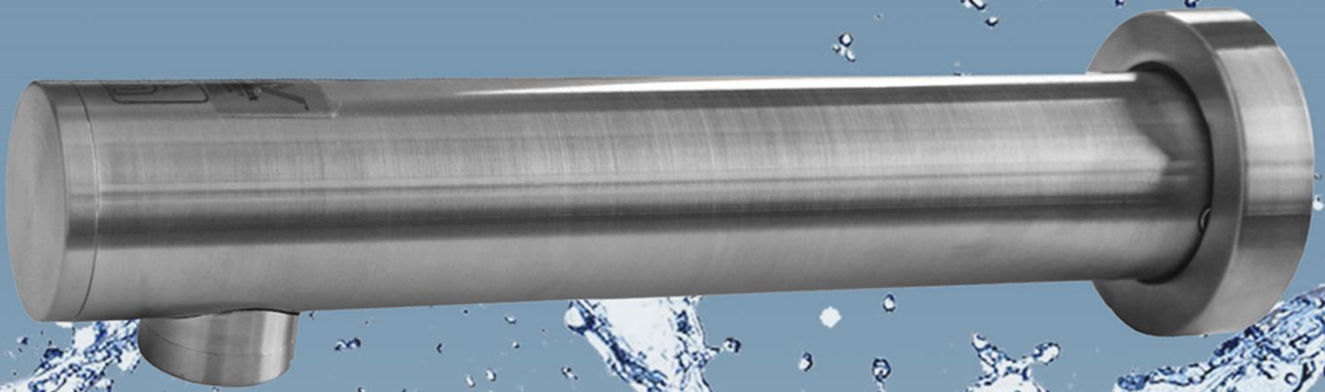


Sensor Tap – All-In-One



Up to 70% in water savings!
Hygienic – zero cross contamination.
No electrical wiring required.
No-touch and easy to use.



CAT 673031

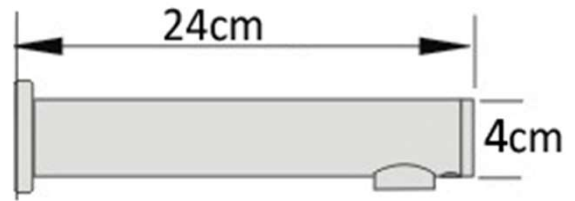
Sensor Tap - All-in-one

Wall Mounted - Stainless Steel

Dimensions:

Tap: 6 x 24 x 4cm, 0.7kg

Boxed: 27 x 8 x 8cm, 0.8kg



Features:

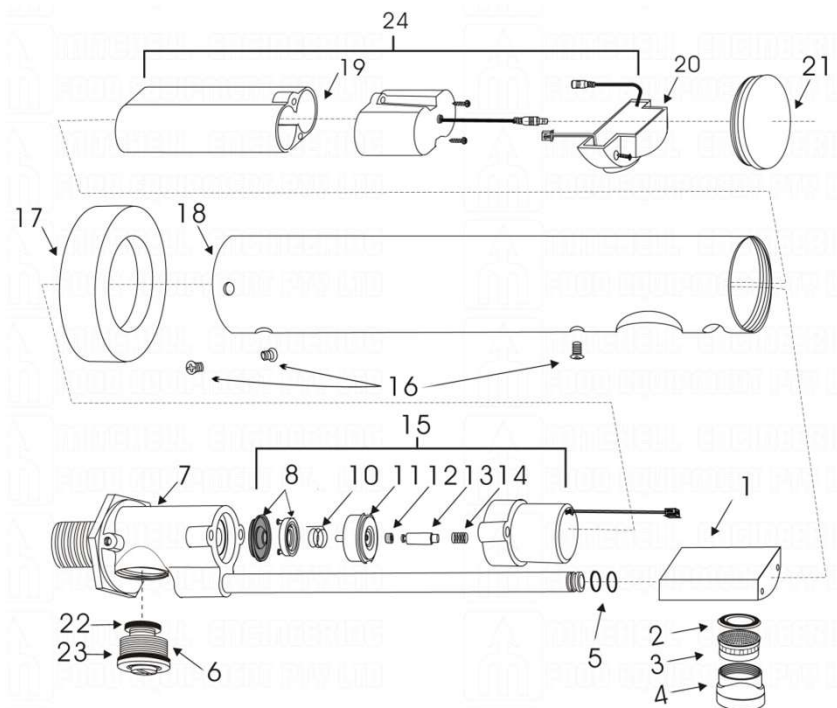
Employs the latest plug and play digital infrared sensor technology.
 Hygienic – zero cross contamination.
 No-touch and easy to use – ideal for children, elderly & disabled
 Simple installation – supplied with everything you need and easily replaces existing ½" connections.
 No electrical wiring required – takes 4 x AA batteries or use the 240 V transformer included.
 AUS & NZ WaterMark certified
 6 star WELS water efficiency rating.

Specifications:

Wall Mounted
 Stainless Steel
 Full sealed (all-in-one unit)
 Standard ½" connection
 Adjustable sensing: 5cm to 15cm
 Water Pressure: 0.07-0.7Mpa

Includes:

All-in-one unit (solenoid valve, battery housing & brass housing)
 Instruction manual.



Available in two colors

- CAT 673031 – Chrome Plated
- CAT 673031– Matte Black



Our versatile and stylish Automatic Sensor Taps are well suited to virtually any environment - whether for personal or professional use. All of our taps are WaterMarked certified with a 6 star WELS water efficiency rating, signifying that the taps are nationally certified whilst also environmentally and economically friendly.



1800 669 006
info@mefe.com.au www.mefe.com.au
 Tel: 07 3283 4536 Fax: 07 3283 4482



Sensor Tap – Tube Design



Up to 70% in water savings!
Hygienic – zero cross contamination.
No electrical wiring required.
No-touch and easy to use.



In accordance with AS/NZS 6400

Licence No. 1718
Mitchell Engineering Food
Equipment Pty Ltd



CAT 67305

Sensor Tap - Tube Design

Wall Mounted - Chrome Plated

Dimensions:

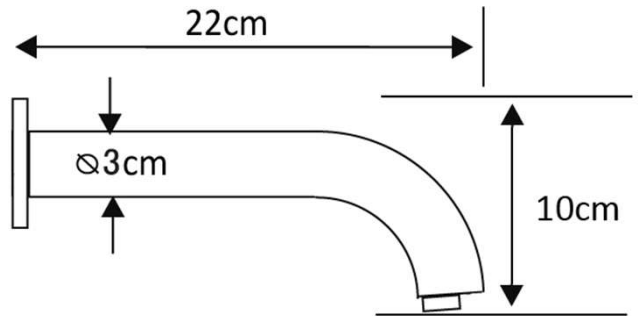
Tube spout - 22cm long

Tap: 10 x 22 x 3cm, 0.5kg

Boxed: 28 x 22 x 9cm, 1.4kg

Features:

Employs the latest plug and play digital infrared sensor technology.
Hygienic – zero cross contamination.
No-touch and easy to use – ideal for children, elderly & disabled
Simple installation – supplied with everything you need and easily replaces existing ½" connections.
No electrical wiring required – takes 4 x AA batteries or use the 240 V transformer included.
AUS & NZ WaterMark certified
6 star WELS water efficiency rating.



Specifications:

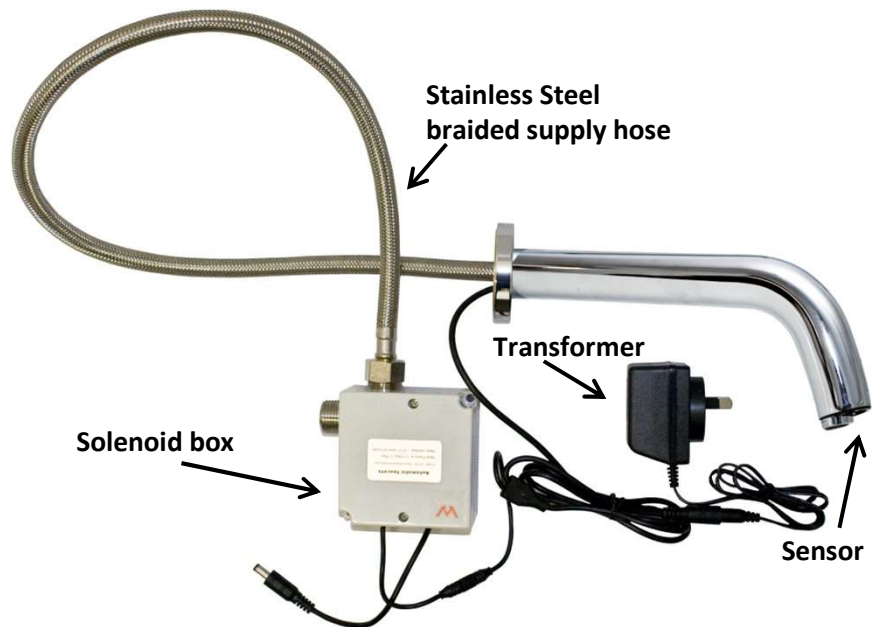
Wall Mounted
Chrome Plated
Standard ½" connection
Adjustable sensing: 5cm to 15cm
Water Pressure: 0.07-0.7Mpa

Includes:

Tube spout with fitted sensor.
Braided hose.
Solenoid box - fitted with solenoid valve and battery housing.
Optional 240V transformer (only used if not using batteries)
Instruction manual.

Available in two colors

- CAT 67305 – Chrome Plated
- CAT 67305B – Matte Black



Our versatile and stylish Automatic Sensor Taps are well suited to virtually any environment - whether for personal or professional use. All of our taps are WaterMarked certified with a 6 star WELS water efficiency rating, signifying that the taps are nationally certified whilst also environmentally and economically friendly.



1800 669 006
info@mefe.com.au www.mefe.com.au
Tel: 07 3283 4536 Fax: 07 3283 4482



Sensor Tap – Hospital Spout 18cm



Up to 70% in water savings!
Hygienic – zero cross contamination.
No electrical wiring required.
No-touch and easy to use.



The more stars the more water efficient

WATER RATING
www.waterrating.gov.au

4.5 litres per minute

In accordance with AS/NZS 6400

Licence No. 1718
Mitchell Engineering Food
Equipment Pty Ltd



WaterMark
WM-022559
AS/NZS 3718



MEFE

CAT 67910

Sensor Tap – Hospital Spout 18cm Deck Mounted – Chrome Plated

Dimensions:

Hospital Spout - 18 cm high

Tap: 18 x 16 x 5 cm, 0.5 kg

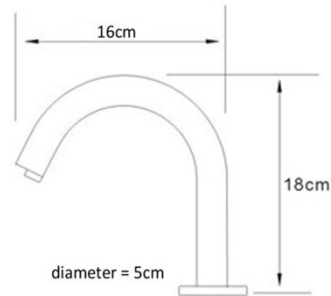
Boxed: 28 x 22 x 10 cm, 1.3 kg

Features:

Employs the latest plug and play digital infrared sensor technology.
Hygienic – zero cross contamination.
No-touch and easy to use – ideal for children, elderly & disabled.
Simple installation – supplied with everything you need and easily replaces existing ½" connections.
No electrical wiring required – takes 4 x AA batteries or use the 240 V transformer included.
AUS & NZ WaterMark certified
6 star WELS water efficiency rating.

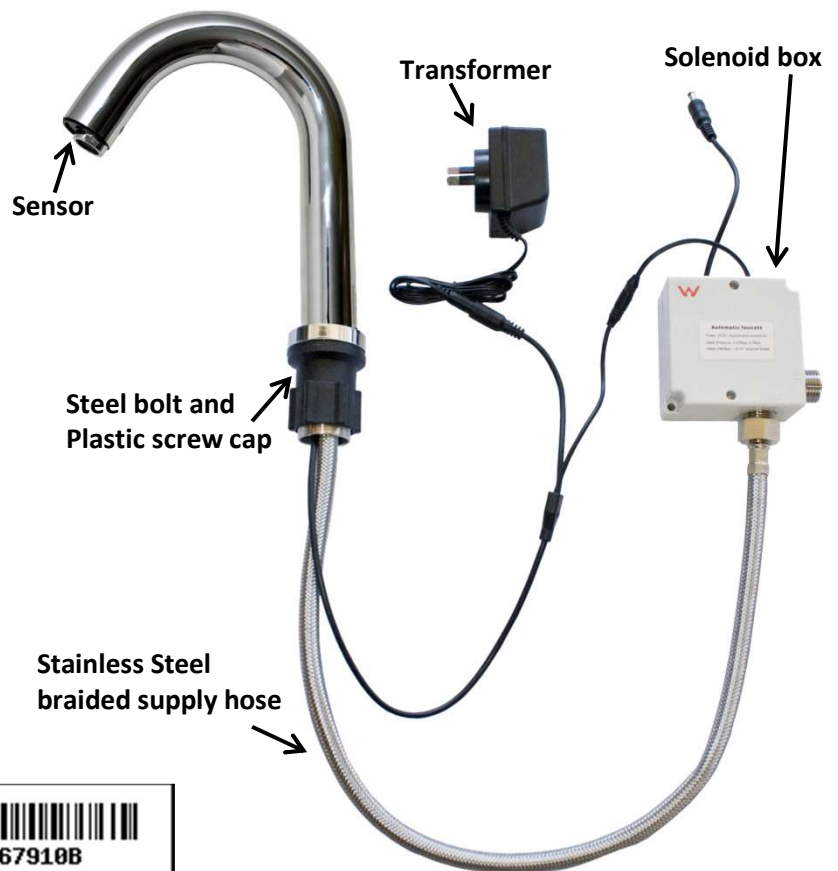
Includes:

Hospital spout with fitted sensor.
Braided hose.
Solenoid box - fitted with solenoid valve and battery housing.
Optional 240 V transformer (only used if not using batteries)
Instruction manual.



Specifications:

Deck Mounted
Chrome Plated
Standard ½" connection
Adjustable sensing: 5 cm to 22 cm
Water Pressure: 0.07-0.7 Mpa



Available in two colors

- CAT 67910 – Chrome Plated
- CAT 67910B – Matte Black



Our versatile and stylish Automatic Sensor Taps are well suited to virtually any environment - whether for personal or professional use. All of our taps are WaterMarked certified with a 6 star WELS water efficiency rating, signifying that the taps are nationally certified whilst also environmentally and economically friendly.



1800 669 006
info@mefe.com.au www.mefe.com.au
Tel: 07 3283 4536 Fax: 07 3283 4482



Sensor Tap - Hospital Spout 32cm



Up to 70% in water savings!
Hygienic – zero cross contamination.
No electrical wiring required.
No-touch and easy to use.



WATER RATING
www.waterrating.gov.au

4.5 litres per minute

In accordance with AS/NZS 6400

Licence No. 1718
Mitchell Engineering Food
Equipment Pty Ltd



CAT 6791032

Sensor Tap - Hospital Spout 32cm Deck Mounted - Chrome Plated

Dimensions:

Hospital Spout - 32cm high
 Tap: 32 x 16 x 5cm, 0.6kg
 Boxed: 42 x 22 x 10cm, 1.5kg



Features:

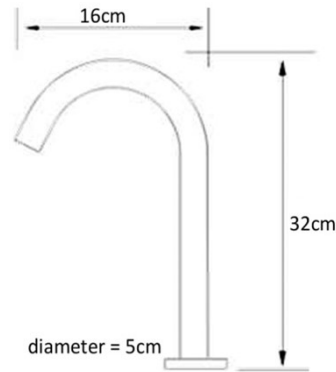
Employs the latest plug and play digital infrared sensor technology.
 Hygienic – zero cross contamination.
 No-touch and easy to use – ideal for children, elderly & disabled
 Simple installation – supplied with everything you need and easily replaces existing ½" connections.
 No electrical wiring required – takes 4 x AA batteries or use the 240 V transformer included.
 AUS & NZ WaterMark certified
 6 star WELS water efficiency rating.

Includes:

Hospital spout with fitted sensor.
 Braided hose.
 Solenoid box - fitted with solenoid valve and battery housing.
 Optional 240V transformer (only used if not using batteries)
 Instruction manual.

Available in two colors

-  CAT 6791032 – Chrome Plated
-  CAT 6791032 Matte Black



Specifications:

Deck Mounted
 Chrome Plated
 Standard ½" connection
 Adjustable sensing: 5cm to 22cm
 Water Pressure: 0.07-0.7Mpa



Our versatile and stylish Automatic Sensor Taps are well suited to virtually any environment - whether for personal or professional use. All of our taps are WaterMarked certified with a 6 star WELS water efficiency rating, signifying that the taps are nationally certified whilst also environmentally and economically friendly.



1800 669 006
info@mefe.com.au www.mefe.com.au
 Tel: 07 3283 4536 Fax: 07 3283 4482



Sensor Tap - Classic Curve Neck



Up to 70% in water savings!
Hygienic – zero cross contamination.
No electrical wiring required.
No-touch and easy to use.

The more stars the more water efficient

WATER RATING
www.waterrating.gov.au

5.0 litres per minute

In accordance with AS/NZS 6400

Licence No. 1718
Mitchell Engineering Food Equipment Pty Ltd

WaterMark
WM-022559
AS/NZS 3718

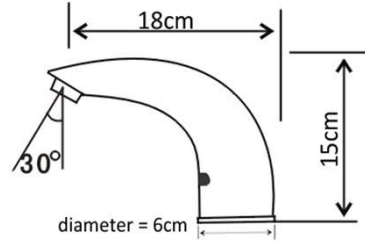


CAT 67911

Sensor Tap - Classic Curve Neck Deck Mounted - Chrome Plated

Dimensions:

Curve Neck Spout - 15cm high
 Tap: 15 x 18 x 6cm, 1.2kg
 Boxed: 28 x 22 x 9cm, 2.1kg



Features:

Employs the latest plug and play digital infrared sensor technology.
 Hygienic – zero cross contamination.
 No-touch and easy to use – ideal for children, elderly & disabled
 Simple installation – supplied with everything you need and easily replaces existing ½" connections.
 No electrical wiring required – takes 4 x AA batteries or use the 240 V transformer included.
 AUS & NZ WaterMark certified
 6 star WELS water efficiency rating.

Specifications:

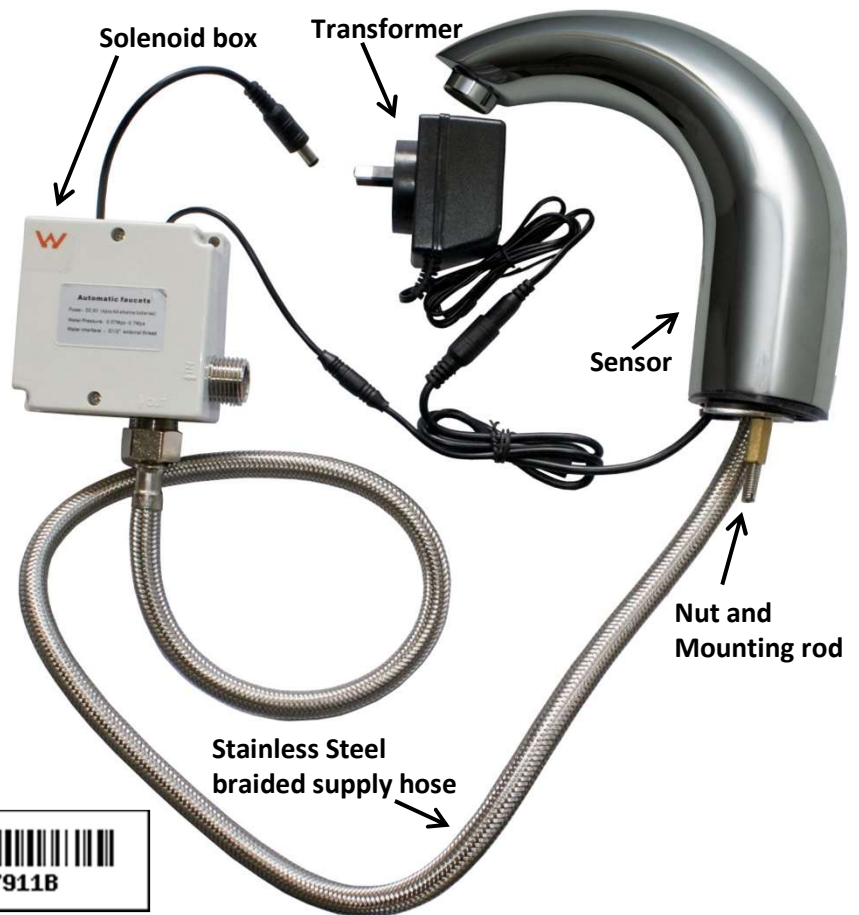
Deck Mounted
 Chrome Plated
 Standard ½" connection
 Adjustable sensing: 5cm to 22cm
 Water Pressure: 0.07-0.7Mpa

Includes:

Curve Neck spout with fitted sensor.
 Braided hose.
 Solenoid box - fitted with solenoid valve and battery housing.
 Optional 240V transformer (only used if not using batteries)
 Instruction manual.

Available in two colors

- CAT 67911 – Chrome Plated
- CAT 67911B– Matte Black



Our versatile and stylish Automatic Sensor Taps are well suited to virtually any environment - whether for personal or professional use. All of our taps are WaterMarked certified with a 6 star WELS water efficiency rating, signifying that the taps are nationally certified whilst also environmentally and economically friendly.



1800 669 006
info@mefe.com.au www.mefe.com.au
 Tel: 07 3283 4536 Fax: 07 3283 4482



Sensor Tap – Hot and Cold Mixer



Up to 70% in water savings!
Hygienic – zero cross contamination.
No electrical wiring required.
No-touch and easy to use.

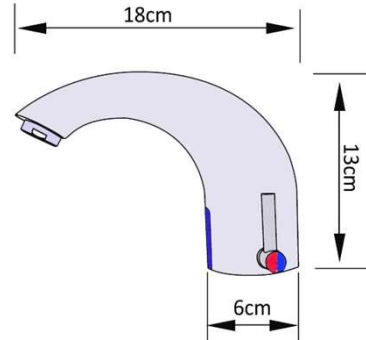


CAT 67913

Sensor Tap - Hot and Cold Mixer Deck Mounted - Chrome Plated

Dimensions:

Curve Neck Spout - 13cm high
 Tap: 13 x 18 x 6cm, 1.1kg
 Boxed: 27 x 25 x 11cm, 2.1kg



Features:

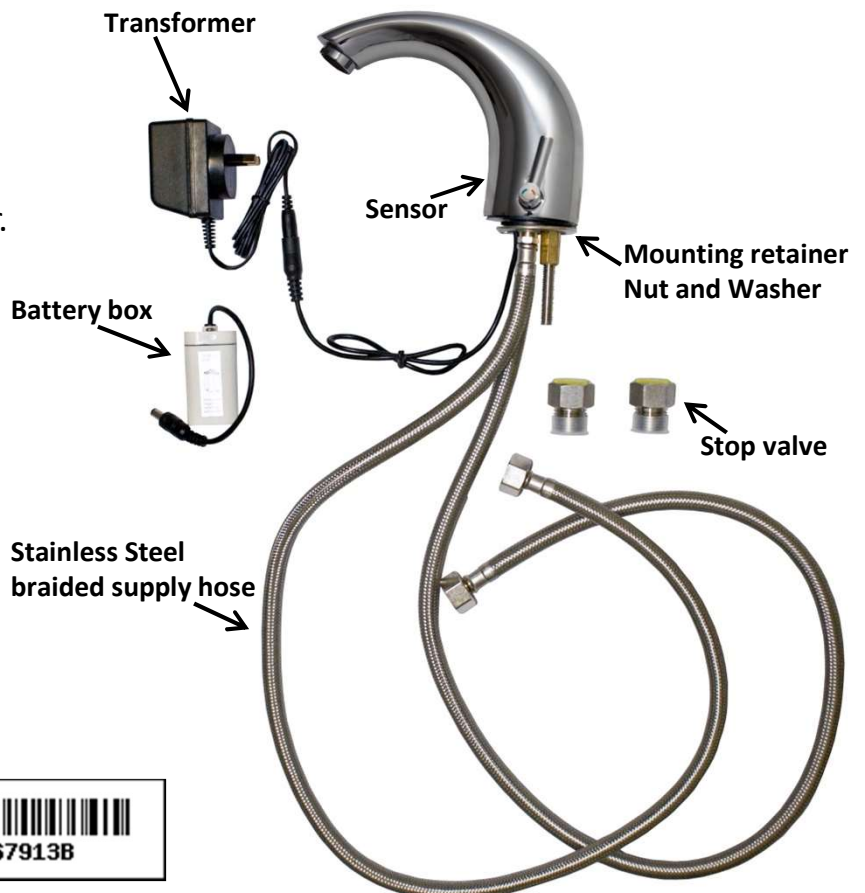
Employs the latest plug and play digital infrared sensor technology.
 Hygienic – zero cross contamination.
 No-touch and easy to use – ideal for children, elderly & disabled
 Simple installation – supplied with everything you need and easily replaces existing ½" connections.
 No electrical wiring required – takes 4 x AA batteries or use the 240 V transformer included.
 AUS & NZ WaterMark certified
 6 star WELS water efficiency rating.

Specifications:

Deck Mounted
 Chrome Plated
 Standard ½" connection
 Adjustable sensing: 5cm to 22cm
 Water Pressure: 0.07-0.7Mpa

Includes:

Curve Neck spout with fitted sensor.
 2x Braided hoses.
 Battery Pack.
 Red and blue stickers.
 2x Valves.
 Optional 240V transformer (only used if not using batteries)
 Instruction manual.



Available in two colors

- CAT 67913 – Chrome Plated
- CAT 67913B– Matte Black



Our versatile and stylish Automatic Sensor Taps are well suited to virtually any environment - whether for personal or professional use. All of our taps are WaterMarked certified with a 6 star WELS water efficiency rating, signifying that the taps are nationally certified whilst also environmentally and economically friendly.



1800 669 006
info@mefe.com.au www.mefe.com.au
 Tel: 07 3283 4536 Fax: 07 3283 4482



Sensor Tap – Tall Upright



Up to 70% in water savings!
Hygienic – zero cross contamination.
No electrical wiring required.
No-touch and easy to use.



WATER RATING
www.waterrating.gov.au

5.5 litres per minute

In accordance with AS/NZS 6400

Licence No. 1718
Mitchell Engineering Food
Equipment Pty Ltd



CAT 67917

Sensor Tap - Tall Upright

Deck Mounted - Stainless Steel

Dimensions:

Tall Upright Spout - 18.5cm high

Tap: 18.5 x 16 x 3.5cm, 0.7kg

Boxed: 28 x 22 x 10cm, 1.4kg

Features:

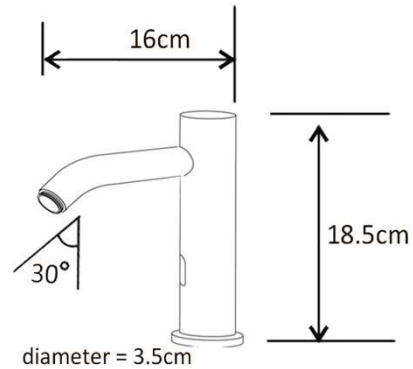
Employs the latest plug and play digital infrared sensor technology.
Hygienic – zero cross contamination.
No-touch and easy to use – ideal for children, elderly & disabled
Simple installation – supplied with everything you need and easily replaces existing ½" connections.
No electrical wiring required – takes 4 x AA batteries or use the 240 V transformer included.
AUS & NZ WaterMark certified
6 star WELS water efficiency rating.

Includes:

Upright spout with fitted sensor.
Braided hose.
Solenoid box - fitted with solenoid valve and battery housing.
Optional 240V transformer (only used if not using batteries)
Instruction manual.

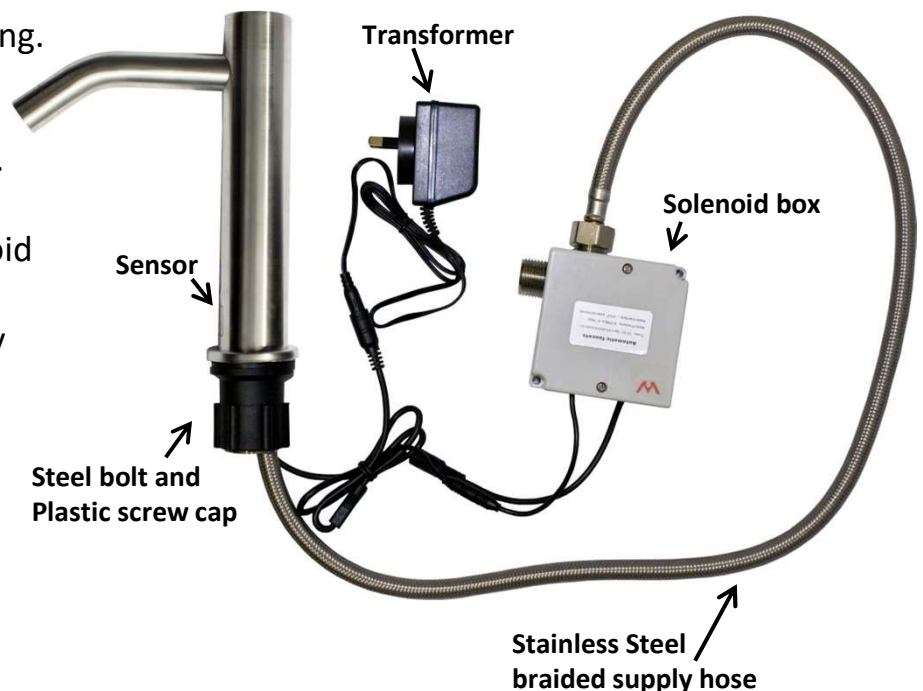
Available in two colors

- CAT 67917 – Chrome Plated
- CAT 67917B – Matte Black



Specifications:

Deck Mounted.
Stainless Steel.
Standard ½" connection.
Adjustable sensing: 5cm to 22cm
Water Pressure: 0.07-0.7Mpa



Our versatile and stylish Automatic Sensor Taps are well suited to virtually any environment - whether for personal or professional use. All of our taps are WaterMarked certified with a 6 star WELS water efficiency rating, signifying that the taps are nationally certified whilst also environmentally and economically friendly.



1800 669 006
info@mefe.com.au www.mefe.com.au
Tel: 07 3283 4536 Fax: 07 3283 4482

